

Wielomieszkowe ssawki próżniowe
Bellows vacuum cups

Ø 4 mm Ø 5 mm



	 130.104 M 6 AG 130.134 M 5 AG 130.227 M 5 AG		 130.001 M 10 AG
<p>Art No : 220.004.042._</p>	0.4 gr	<p>Art No : 210.005.027._</p>	0.8 gr
<p>S (tr)</p>	3.0 mm	<p>Vinyl (bl), V-AS (sw)</p>	2.0 mm
	 130.001 M 10 AG		 130.104 M 6 AG 130.134 M 5 AG
<p>Art No : 210.005.028._</p>	1.0 gr	<p>Art No : 210.004.073._</p>	1.0 gr
<p>NBR (sw), S (tr), PU, FKM (g)</p>	2.0 mm	<p>NBR (sw), S (tr)</p>	4.0 mm

Wielomieszkowe ssawki próżniowe
Bellows vacuum cups

Ø 5 mm



<p>130.153 M 5 AG</p>		<p>130.003 G 1/8" AG</p> <p>130.015 G 1/8" IG</p> <p>130.024 M 5 AG</p> <p>130.103 M 6 AG</p>	
<p>Art No : 210.005.045._</p>	<p>0.2 gr</p>	<p>Art No : 220.005.043._</p>	<p>0.4 gr</p>
<p>NBR (sw), S (r)</p>	<p>2.0 mm</p>	<p>S (tr)</p>	<p>3.5 mm</p>
<p>130.104 M 6 AG</p> <p>130.134 M 5 AG</p> <p>130.227 M 5 AG</p>		<p>130.104 M 6 AG</p> <p>130.134 M 5 AG</p> <p>130.227 M 5 AG</p>	
<p>Art No : 220.005.044._</p>	<p>0.4 gr</p>	<p>Art No : 220.005.017._</p>	<p>0.4 gr</p>
<p>NBR (sw), S (tr)</p>	<p>3.0 mm</p>	<p>NBR (g), S (g), S (GG), S (gt), PU (b), FKM (g), HNBR</p>	<p>3.0 mm</p>

Wielomieszkowe ssawki próżniowe
Bellows vacuum cups

Ø 5 mm Ø 6 mm

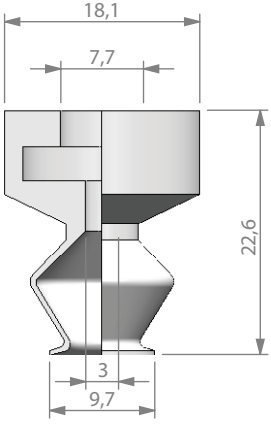
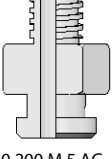
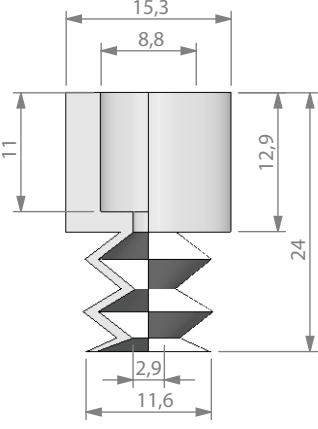
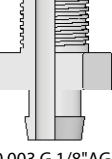
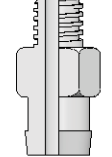
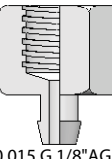




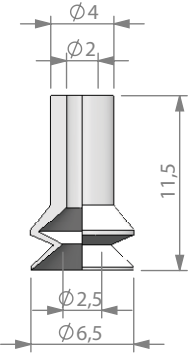
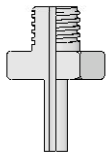
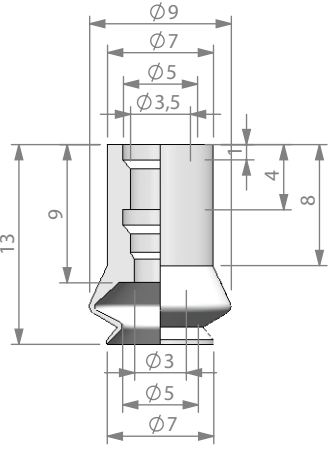
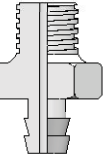
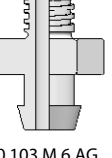
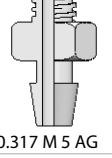






	<p>130.005 M 5 IG</p> <p>130.007 G 1/8"IG</p> <p>130.009 G 1/8"AG</p> <p>130.010 M 5 AG</p>		
<p>Art No : 220.005.034._</p>	<p>0.4 gr</p>	<p>Art No : 210.006.074._</p>	
<p>NBR (sw), S (tr), HNBR</p>	<p>3.0 mm</p>	<p>S-AS</p>	
	<p>130.003 G 1/8"AG</p> <p>130.015 G 1/8"IG</p> <p>130.104 M 6 AG</p> <p>130.134 M 5 AG</p>		<p>130.003 G 1/8"AG</p> <p>130.015 G 1/8"IG</p> <p>130.024 M 5 AG</p> <p>130.103 M 6 AG</p>
<p>Art No : 220.006.033._</p>	<p>0.4 gr</p>	<p>Art No : 220.006.032._</p>	<p>0.4 gr</p>
<p>NBR (sw), S (tr), NR (sw)</p>	<p>3.5mm</p>	<p>S (tr)</p>	<p>3.5 mm</p>

Wielomieszkowe ssawki próżniowe
Bellows vacuum cups

Ø 6 mm Ø 7 mm



 <p>130.200 M 5 AG</p>		 <p>130.003 G 1/8" AG</p> <p>130.013 M 5 AG</p> <p>130.015 G 1/8" AG</p> <p>130.319 G 1/8" IG</p> <p>130.103 M 6 AG</p> <p>130.024 M 5 AG</p>	  
<p>Art No : 210.006.075._</p>	 <p>0.7 gr</p>	<p>Art No : 220.006.018._</p>	 <p>0.3 gr</p>
<p>NBR (sw), S (tr)</p>	 <p>5 mm</p>	<p>NBR (sw), S (tr), Vinyl (bl), EPDM, FKM (g)</p>	 <p>3.5 mm</p>
 <p>130.001 M 10 AG</p>		 <p>130.087 G 1/8" AG</p> <p>130.103 M 6 AG</p> <p>130.317 M 5 AG</p>	  
<p>Art No : 210.007.076._</p>	 <p>0.2 gr</p>	<p>Art No : 210.007.077._</p>	 <p>0.6 gr</p>
<p>Vinyl (bl)</p>	 <p>1.5 mm</p>	<p>NBR (sw), S (tr) 50° Shore, S (tr) 55° Shore</p>	 <p>2.0 mm</p>

Wielomieszkowe ssawki próżniowe
Bellows vacuum cups

Ø 7 mm Ø 8 mm



	130.005 M 5 IG 130.007 G 1/8"IG 130.009 G 1/8"AG 130.010 M 5 AG		130.200 M 5 AG
<p>Art No : 220.007.007._</p>	0.6 gr	<p>Art No : 210.008.078._</p>	0.8 gr
<p>NBR (sw), S (tr)</p>	3.0 mm	<p>NBR (sw), S (tr)</p>	5.0 mm
	130.153 M 5 AG		130.104 M 6 AG 130.134 M 5 AG
<p>Art No : 210.008.010._</p>	0.2 gr	<p>Art No : 210.008.079._</p>	0.4 gr
<p>NBR (sw), S (r)</p>	3.5 mm	<p>S (tr), S-AS (sw)</p>	3.5 mm

Wielomieszkowe ssawki próżniowe
Bellows vacuum cups

Ø 8 mm Ø 9 mm



<p>Art No : 220.008.025._</p>	<p>1.0 gr 4.0 mm</p>	<p>Art No : 220.009.045._</p>	<p>0.6 gr 3.5 mm</p>
<p>NBR (sw), S (tr), NR (sw)</p>		<p>NBR (sw), 50⁰ Shore</p>	
<p>Art No:220.009.1013.07._</p>	<p>1.0 gr 2.0 mm</p>	<p>Art No : 220.009.046._</p>	<p>0.6 gr 1.5 mm</p>
<p>PU (b) 70⁰ Shore</p>		<p>PU (b)</p>	

Wielomieszkowe ssawki próżniowe
Bellows vacuum cups

Ø 9 mm Ø 10 mm



	<p>130.003 G 1/8"AG</p> <p>130.015 G 1/8"IG</p> <p>130.103 M 6 AG</p> <p>130.319 G 1/8"IG</p>		
<p>Art No : 220.009.015._</p>	0.6 gr 2.0 mm	<p>Art No : 210.009.166._</p>	0.1 gr 0.1 mm
<p>NBR (sw), S (tr), Viton (g), NR (gr), EPDM (gr), PU (bl), HNBR</p>	<p>NBR (sw), S (tr), SLAS (sw), PU (bl), FKM (gr)</p>		
	<p>130.009 G 1/8"AG</p> <p>130.301 M 5 AG</p>		<p>130.104 M 6 AG</p> <p>130.134 M5 AG</p>
<p>Art No : 210.010.008._</p>	0.6 gr 4 mm	<p>Art No : 210.010.036._</p>	0.8 gr 4.5 mm
<p>NBR (sw), NBR-AS (sw), S (tr), S-AS (sw), PU (bl), CR (sw)</p>	<p>NBR (sw), S (tr)</p>		

Wielomieszkowe ssawki próżniowe
Bellows vacuum cups

Ø 10 mm



	 130.200 M 5 AG		 130.094 M 5 AG
<p>Art No : 210.010.080._</p>	 1.0 gr	<p>Art No : 210.010.081._</p>	 1.0 gr
<p>NBR (sw), S (tr)</p>	 5 mm	<p>S (tr)</p>	 2.5 mm
	 130.094 M 5 AG 130.095 G 1/8"AG 130.096 G 1/8"IG 130.103 M 6 AG		 130.003 G 1/8"AG 130.005 M 5 AG 130.013 M 5 AG 130.109 G 1/8"IG 130.103 M 6 AG
<p>Art No : 220.010.047._</p>	 0.4 gr	<p>Art No : 220.010.014._</p>	 0.8 gr
<p>NBR (sw), S (bl)</p>	 4 mm	<p>S (r), PU (bg), FKM (g)</p>	 4 mm

Wielomieszkowe ssawki próżniowe
Bellows vacuum cups

Ø 10 mm



	130.013 M 5 AG 130.109 G 1/8"IG 130.238 G 1/8"AG		130.013 M 5 AG 130.103 M 6 AG 130.109 G 1/8"IG 130.238 G 1/8"AG
<p>Art No : 220.010.029._</p>	0.8 gr	<p>Art No : 220.010.021._</p>	1.0 gr
<p>Vinyl (bl)</p>	5 mm	<p>NBR (sw), S (r), NR (bg), PU (bg)</p>	3 mm
	130.013 M 5 AG 130.103 M 6 AG 130.109 G 1/8"IG 130.238 G 1/8"AG		130.001 M 10 AG 130.195 M 5 AG
<p>Art No : 220.010.019._</p>	0.6 gr	<p>Art No : 220.010.020._</p>	0.4 gr
<p>S (r) 50 °, S (bl) 70 °, FKM (g)</p>	4.0 mm	<p>Vinyl (bl)</p>	8.0 mm

Wielomieszkowe ssawki próżniowe
Bellows vacuum cups

Ø 10 mm Ø 11 mm



		<p>130.005 M 5 IG</p> <p>130.007 G 1/8"IG</p> <p>130.009 G 1/8"AG</p> <p>130.010 M 5 AG</p>	
<p>Art No : 220.010.048._</p>	<p>1.6 gr</p>	<p>Art No : 240.010.011._</p>	<p>2.0 gr</p>
<p>Vinyl (bl)</p>	<p>8.0 mm</p>	<p>NBR (sw), S (tr)</p>	<p>4.0 mm</p>
	<p>130.003 G 1/8"AG</p> <p>130.013 M 5 AG</p> <p>130.015 G 1/8"IG</p> <p>130.103 M 6 AG</p>		
<p>Art No : 210.011.018._</p>	<p>0.8 gr</p>	<p>Art No : 210.011.082._</p>	<p>1.0 gr</p>
<p>NBR (sw), S (tr)</p>	<p>4.5 mm</p>	<p>S (r)</p>	<p>3.5 mm</p>

Wielomieszkowe ssawki próżniowe
Bellows vacuum cups

Ø 11 mm



	130.003 G 1/8"AG 130.015 G 1/8"IG 130.104 M 6 AG 130.134 M 5 AG		130.003 G 1/8"AG 130.015 G 1/8"IG 130.104 M 6 AG 130.134 M 5 AG
<p>Art No : 210.011.001._</p>	1.0 gr	<p>Art No : 210.011.083._</p>	1.0 gr
<p>S (r)</p>	4.0 mm	<p>NBR (sw), S (r), FKM (g)</p>	4.0 mm
	130.003 G 1/8"AG 130.015 G 1/8"IG 130.104 M 6 AG 130.134 M 5 AG		130.003 G 1/8"AG 130.015 G 1/8"IG 130.104 M 6 AG 130.134 M 5 AG
<p>Art No : 210.011.029._</p>	0.6 gr	<p>Art No : 210.011.025._</p>	1.0 gr
<p>NBR (sw), S (tr), PU</p>	5.0 mm	<p>S (tr)</p>	3.5 mm

Wielomieszkowe ssawki próżniowe
Bellows vacuum cups

Ø 11 mm Ø 12 mm Ø 13 mm



	<p>130.003 G 1/8"AG</p> <p>130.015 G 1/8"IG</p> <p>130.104 M 6 AG</p> <p>130.134 M 5 AG</p>		<p>130.238 G 1/8"AG</p>
<p>Art No : 220.011.008._</p>	<p>1.0 gr</p>	<p>Art No : 220.012.024._</p>	<p>1.2 gr</p>
<p>NBR (sw), S (tr), NR (sw)</p>	<p>5.0 mm</p>	<p>NBR (sw), S (w)</p>	<p>6.0 mm</p>
	<p>130.010 M 5 AG</p> <p>130.033 G 1/8"AG</p> <p>130.206 G 1/8"IG</p>		<p>130.087 G 1/8"IG</p> <p>130.317 M 5 AG</p>
<p>Art No : 210.013.013._</p>	<p>0.6 gr</p>	<p>Art No : 210.013.003._</p>	<p>1.0 gr</p>
<p>Vinyl (bl) 60 °Shore ,Vinyl (bl) 50 °Shore</p>	<p>5.0 mm</p>	<p>NBR (sw), S (tr), NR (gr), FKM(g)</p>	<p>4.0 mm</p>

Wielomieszkowe ssawki próżniowe
Bellows vacuum cups

∅ 14 mm



	130.003 G 1/8"AG 130.013 M 5 AG 130.103 M 6 AG 130.110 G 1/8"IG		130.024 M 5 AG 130.104 M 6 AG 130.033 G 1/8"AG 130.035 G 1/8"IG
<p>Art No : 210.014.064._</p>	1.2 gr	<p>Art No : 220.014.049._</p>	1.0 gr
<p>NBR (sw), S (r), NR-Soft (b), PU (b), FKM (g)</p>	8.0 mm	<p>PU (r)</p>	7.0 mm
	130.003 G 1/8"AG 130.104 M 6 AG 130.134 M 5 AG 130.347 M 5 IG		130.003 G 1/8"AG 130.013 M 5 AG 130.015 G 1/8"IG 130.103 M 6 AG
<p>Art No : 220.014.013._</p>	1.0 gr	<p>Art No : 220.014.016._</p>	1.2 gr
<p>CR (sw), S (tr)</p>	9.0 mm	<p>NBR (sw), S (tr), PU (ge), FKM (g), EPDM (gr)</p>	12.0 mm

Wielomieszkowe ssawki próżniowe
Bellows vacuum cups

∅ 14 mm ∅ 15 mm



	 130.013 M 5 AG 130.103 M 6 AG 130.109 G 1/8"IG 130.238 G 1/8"AG		 130.310 M 5 AG
<p>Art No : 220.014.023._</p>	 1.6 gr 10.0 mm	<p>Art No : 210.015.084._</p>	 1.0 gr 3.5 mm
<p>NBR (sw), S (bl), S (r), PU (bl), NR-Soft (bg), EPDM (gr)</p>		<p>NBR (sw), S (tr), HNBR, PU</p>	
	 130.009 G 1/8"AG 130.301 M 5 AG		
<p>Art No : 210.015.015._</p>	 1.0 gr 5.0 mm	<p>Art No : 210.015.143._</p>	 0.1 gr 0.1 mm
<p>NBR (s), S (tr), PU (bl), FKM (g)</p>		<p>NBR (sw), S (tr), SLAS (sw), PU (bl), FKM (gr)</p>	

Wielomieszkowe ssawki próżniowe
Bellows vacuum cups

∅ 15 mm



<p>130.200 M 5 AG</p>	<p>130.033 G 1/8"AG</p> <p>130.035 G 1/8"IG</p>		
<p>Art No : 210.015.052._</p>	<p>7.0 gr</p>	<p>Art No : 210.015.011._</p>	<p>1.2 gr</p>
<p>NBR (sw), S (tr)</p>	<p>1.5 mm</p>	<p>Vinyl (bl)</p>	<p>5.0 mm</p>
<p>130.094 M 5 AG</p> <p>130.095 G 1/8"AG</p> <p>130.096 G 1/8"IG</p>	<p>130.274 G 1/4"AG</p> <p>130.275 G 1/4"IG</p>		
<p>Art No : 220.015.022._</p>	<p>0.8 gr</p>	<p>Art No : 220.015.052._</p>	<p>3.0 gr</p>
<p>NBR (sw), S (tr)</p>	<p>5.0 mm</p>	<p>NR (sw), S (tr)</p>	<p>10 mm</p>

Wielomieszkowe ssawki próżniowe
Bellows vacuum cups

∅ 15 mm ∅ 16 mm



	130.112 G 1/8"AG 130.113 G 1/4"AG 130.114 G 1/8"IG 130.178 G 1/4"IG	<p>Si (tr) = 9 Si (tr) = 6</p>	130.005 M 5 IG 130.094 M 5 AG 130.096 G 1/8"IG 130.188 G 1/8"AG
<p>Art No : 220.015.053._</p>	1.6 gr	<p>Art No : ∅ 9: 210.016.156._ ∅ 6: 210.016.085._</p>	0.6 gr
<p>NBR (sw), S (r)</p>	7 mm	<p>S (tr), S (r), PU</p>	6.0 mm
	130.003 G 1/8"AG 130.013 M 5 AG 130.015 G 1/8"IG 130.103 M 6 AG		130.003 G 1/8"AG 130.015 G 1/8"IG 130.104 M 6 AG 130.134 M 5 AG
<p>Art No : 210.016.002._</p>	1.2 gr	<p>Art No : 210.016.030._</p>	1.4 gr
<p>NBR (sw), S (tr), S, HNRB (wr), NR (gr)</p>	6.0 mm	<p>CR (sw), S (tr), S-AS (sw), PU (or), S (r)</p>	7.0 mm

Wielomieszkowe ssawki próżniowe
Bellows vacuum cups

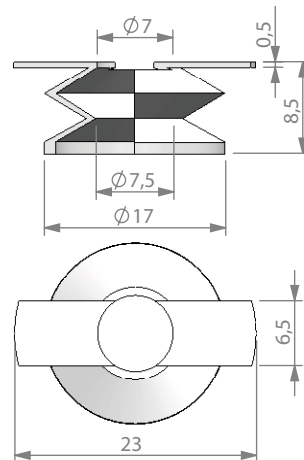
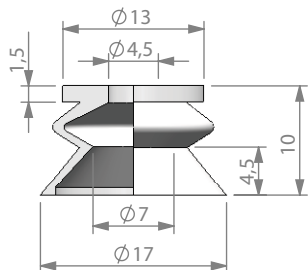
∅ 16 mm



	130.003 G 1/8"AG 130.015 G 1/8"IG 130.104 M 6 AG 130.134 M 5 AG		130.193 G 1/4"AG 130.244
<p>Art No : 210.016.026._</p>	1.2 gr	<p>Art No : 210.016.063._</p>	1.6 gr
<p>S (tr)</p>	5.0 mm	<p>NR (sw), S (tr), NR-Soft (b)</p>	6.0 mm
	130.034 G 1/4"AG 130.038 G 1/4"IG 130.059 G 1/8"AG		130.097 G 1/4"AG 130.098 G 1/4"IG 130.181 G 1/8"AG
<p>Art No : 210.016.062._</p>	2.0 gr	<p>Art No : 220.016.054._</p>	3.0 gr
<p>Vinyl (bl)</p>	7.0 mm	<p>Vinyl (bl)</p>	9.0 mm

Wielomieszkowe ssawki próżniowe
Bellows vacuum cups

Ø 17 mm



Art No : 210.017.087._



1.2 gr

6.0 mm

NR-Soft (or)

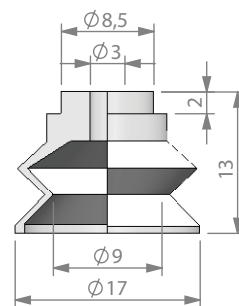
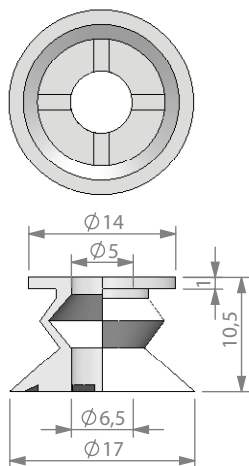
Art No : 210.017.007._



1.0 gr

3.0mm

NR-Soft (sw)



Art No : 210.017.088._



1.0 gr

5.5mm

NR-Soft (r)

Art No : 210.017.089._



1.3 gr

7.0 mm

NR (sw)

Wielomieszkowe ssawki próżniowe
Bellows vacuum cups

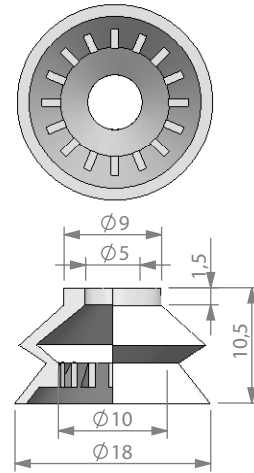
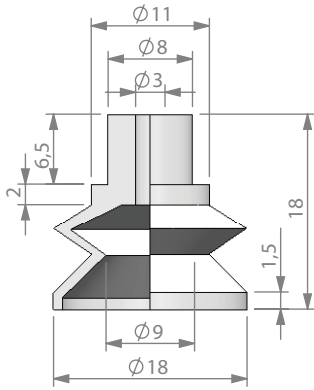
Ø 18 mm



	<p>130.040 M 8 AG</p> <p>130.077 G 1/8"AG</p> <p>130.105 M 6 AG</p>		<p>130.003 G 1/8"AG</p> <p>130.015 G 1/8"IG</p> <p>130.104 M 6 AG</p> <p>130.317 M 5 AG</p> <p>130.134 M 5 AG</p>
<p>Art No : 210.018.067._</p>	<p>0.6 gr</p>	<p>Art No : 210.018.068._</p>	<p>2.0 gr</p>
<p>CR (sw), S (tr), S-E(tr) 35 °, NR-Soft (bl)</p>	<p>5.5 mm</p>	<p>S (tr), NR-Soft (bl) 35 °</p>	<p>5.5 mm</p>
	<p>130.039 M 6 AG</p> <p>130.040 M 8 AG</p> <p>130.077 G 1/8"AG</p>		<p>130.003 G 1/8"AG</p> <p>130.015 G 1/8"IG</p> <p>130.104 M 6 AG</p> <p>130.317 M 5 AG</p> <p>130.134 M 5 AG</p>
<p>Art No : 210.018.070._</p>	<p>0.8 gr</p>	<p>Art No : 210.018.069._</p>	<p>1.2 gr</p>
<p>NR (sw), S (tr), NR-Soft (bl)</p>	<p>8.0 mm</p>	<p>NR-Soft (bl)</p>	<p>7.0 mm</p>

Wielomieszkowe ssawki próżniowe
Bellows vacuum cups

Ø 18 mm



Art No : 210.018.072._



1.1 gr

6.0 mm

NR (sw)

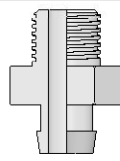
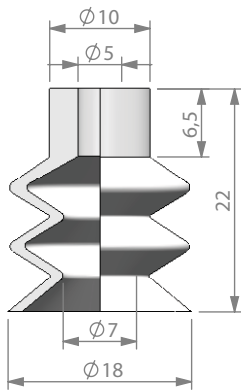
Art No : 210.018.071.03._



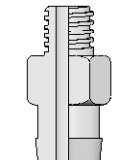
0.8 gr

5.5 mm

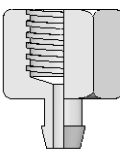
NR-Soft (r)



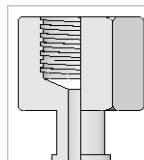
130.003 G 1/8"AG



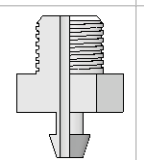
130.013 M 5 AG



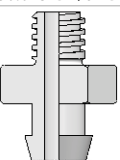
130.015 G 1/8"IG



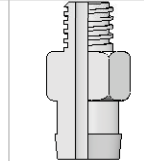
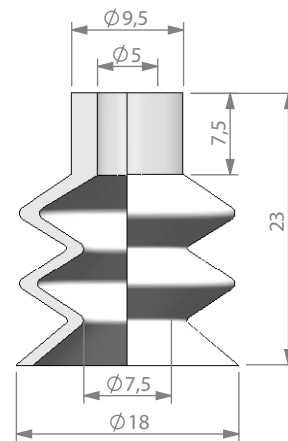
130.275 G 1/4"IG



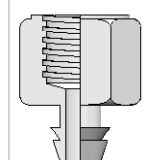
130.194 G 1/4"AG



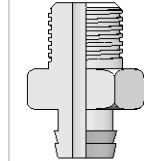
130.103 M 6 AG



130.013 M 5 AG



130.110 G 1/8"IG



130.238 G 1/8"AG

Art No : 220.018.005._



2.0 gr

8.0 mm

NBR (sw), S (tr), NR (sw), CR (sw), HNBR (wr)

Art No : 220.018.041._



2.3 gr

9.0 mm

NBR (sw), S (tr), NR (sw)

Wielomieszkowe ssawki próżniowe
Bellows vacuum cups

Ø 18 mm



	 130.024 M 5 AG 130.104 M 6 AG 130.033 G 1/8"AG 130.035 G 1/8"IG		 130.094 M 5 AG 130.095 G 1/8"AG 130.096 G 1/8"IG
<p>Art No : 220.018.012.05._</p>	 2.2 gr	<p>Art No : 220.018.055._</p>	 1.2 gr
<p>PU (g)</p>	 12 mm	<p>NBR (sw), S (bl)</p>	 7.0 mm
	 130.013 M 5 AG 130.109 G 1/8"IG 130.238 G 1/8"AG		 130.013 M 5 AG 130.109 G 1/8"IG 130.238 G 1/8"AG
<p>Art No : 220.018.030._</p>	 2.4 gr	<p>Art No : 220.018.001._</p>	 1.8 gr
<p>Vinly (bl), S (tr)</p>	 11 mm	<p>NBR (sw), S (r), S (tr), PU (bl), NR-Soft (bg), EPDM (gr)</p>	 8.0 mm

Wielomieszkowe ssawki próżniowe
Bellows vacuum cups

Ø 18 mm Ø 19 mm



	<p>130.013 M 5 AG</p> <p>130.110 G 1/8"IG</p> <p>130.194 G 1/4"AG</p>		<p>130.013 M 5 AG</p> <p>130.110 G 1/8"IG</p> <p>130.194 G 1/4"AG</p>
<p>Art No : 230.018.002._</p>	<p>1.9 gr</p> <p>12 mm</p>	<p>Art No : 240.018.010._</p>	<p>2.4 gr</p> <p>14 mm</p>
<p>NBR (sw), S (tr) 45⁰</p>	<p>S (tr) 45⁰</p>	<p>S (tr) 45⁰</p>	<p>S (tr) 45⁰</p>
	<p>130.003 G 1/8"AG</p> <p>130.013 M 5 AG</p> <p>130.109 G 1/8"IG</p> <p>130.194 G 1/4"AG</p> <p>130.103 M 6 AG</p>		<p>130.039 M 6 AG</p> <p>130.059 G 1/8"AG</p>
<p>Art No : 210.019.044._</p>	<p>1.7 gr</p> <p>4.0 mm</p>	<p>Art No : 210.019.059._</p>	<p>1.6 gr</p> <p>7.0 mm</p>
<p>NBR (sw), S (tr), HNBR</p>	<p>Vinyl (bl)</p>	<p>Vinyl (bl)</p>	<p>Vinyl (bl)</p>

Wielomieszkowe ssawki próżniowe
Bellows vacuum cups

Ø 19 mm



<p>130.039 M 6 AG</p>	<p>130.059 G 1/8" AG</p>		
<p>Art No : 210.019.090._</p>	<p>1.4 gr</p>	<p>Art No : 210.019.060._</p>	<p>1.8 gr</p>
<p>NBR (sw), S (tr), NR (sw)</p>	<p>8.0 mm</p>	<p>Vinyl (bl)</p>	<p>8.0 mm</p>
<p>130.039 M 6 AG</p>	<p>130.188 G 1/8" AG</p>		
<p>Art No : 210.019.091._</p>	<p>1.2 gr</p>	<p>Art No : 210.019.092._</p>	<p>2.0 gr</p>
<p>NBR (sw) 70⁰, NR (bl) 55⁰, NR-Soft (b) 40⁰</p>	<p>5.5 mm</p>	<p>Vinyl (bl)</p>	<p>7.0 mm</p>

Wielomieszkowe ssawki próżniowe
Bellows vacuum cups

Ø 19 mm Ø 20 mm



	<p>130.013 M 5 AG</p> <p>130.039 M 6 AG</p> <p>130.205 G 1/8" AG</p> <p>130.206 G 1/8" IG</p>		<p>130.046 G 1/4" IG</p>
<p>Art No : 210.019.093._</p>	<p>2.0 gr</p>	<p>Art No : 230.019.003._</p>	<p>2.0 gr</p>
<p>Vinyl (b)</p>	<p>8.0 mm</p>	<p>Vinyl (b)</p>	<p>10 mm</p>
	<p>130.005 M 5 IG</p> <p>130.010 M 5 AG</p>		<p>130.251 G 1/8" IG</p> <p>130.303 G 1/8" AG</p> <p>130.304 G 1/4" AG</p> <p>130.313 M 8 AG</p> <p>130.312 M 6 AG</p> <p>130.308 G 1/8" IG</p>
<p>Art No : 210.020.094._</p>	<p>0.5 gr</p>	<p>Art No : 210.020.161._</p>	<p>2 gr</p>
<p>NR-Soft (b)</p>	<p>2 mm</p>	<p>PU (b) 70 °Shore</p>	<p>6 mm</p>

Wielomieszkowe ssawki próżniowe
Bellows vacuum cups

∅ 20 mm



	 130.033 G 1/8" AG 130.035 G 1/8" IG		 130.019 G 1/8" IG 130.043 G 1/4" AG 130.112 G 1/8" AG
<p>Art No : 210.020.053._</p>	 1.5 gr	<p>Art No : 210.020.095._</p>	 2.6 gr
<p>Vinyl (bl) 55 °Shore</p>	 6 mm	<p>NBR (sw), S (tr)</p>	 5 mm
	 130.013 M 5 AG 130.103 M 6 AG		
<p>Art No : 210.020.037._</p>	 2.0 gr	<p>Art No : 210.020.096._</p>	 2.2 gr
<p>NBR (sw), S (tr)</p>	 6 mm	<p>NBR (sw), S (tr), PU (bl)</p>	 4 mm

Wielomieszkowe ssawki próżniowe
Bellows vacuum cups

Ø 20 mm Ø 21 mm



	<p>130.061 G 1/8"IG</p> <p>130.063 G 1/8"AG</p> <p>130.304 G 1/4"AG</p> <p>130.312 M 6 AG</p> <p>130.311 M 5 AG</p>		<p>130.303 G 1/8"AG</p> <p>130.304 G 1/4"AG</p> <p>130.307 G 1/8"IG</p> <p>130.312 M 6 AG</p> <p>130.308 G 1/4"IG</p>
<p>Art No : 210.020.054._</p> <p>NBR (sw), S (tr), PU (bl)</p>	<p>2.7 gr</p> <p>8 mm</p>	<p>Art No:210.020.1000.07.VU</p> <p>PU (b)</p>	<p>2.2 gr</p> <p>7 mm</p>
	<p>130.016 M 6 AG</p> <p>130.250 G 1/8"AG</p> <p>130.291 G 1/8"AG</p> <p>130.291-1 G 1/8"AG</p>		
<p>Art No : 210.020.031._</p> <p>NBR (sw), S (tr), CR(sw), PU (r), S (r)</p>	<p>2.4 gr</p> <p>9 mm</p>	<p>Art No : 211.020.002._</p> <p>NBR (sw), S (tr), CR (sw), PU (r)</p>	<p>5.4 gr</p> <p>9 mm</p>

Wielomieszkowe ssawki próżniowe
Bellows vacuum cups

Ø 20 mm



<p>Art No : 210.020.102._</p> <p>NBR (sw), S (tr), NR (sw), NR-Soft (b)</p>	<p>4.0 gr</p> <p>10 mm</p>	<p>Art No : 210.020.104._</p> <p>NBR (sw), S (tr)</p>	<p>1.8 gr</p> <p>7 mm</p>
<p>Art No:220.020.0986.07.VU</p> <p>PU (b)</p>	<p>2.0 gr</p> <p>8 mm</p>	<p>Art No : 220.020.059._</p> <p>NBR (sw), S (tr), S-E (tr), NR (sw)</p>	<p>2.2 gr</p> <p>11 mm</p>

Wielomieszkowe ssawki próżniowe
Bellows vacuum cups

Ø 20 mm



	<p>130.003 G 1/8"AG</p> <p>130.013 M 5 AG</p> <p>130.015 G 1/8"IG</p> <p>130.194 G 1/4"AG</p> <p>130.103 M 6 AG</p>		<p>130.112 G 1/8"AG</p> <p>130.113 G 1/4"AG</p> <p>130.114 G 1/8"IG</p> <p>130.178 G 1/4"IG</p>
<p>Art No : 220.020.002._</p> <p>NBR (sw), S (tr), HNBR, S 30⁰, PU (bl), NR (gr)</p>	<p>2.2 gr</p> <p>8 mm</p>	<p>Art No : 220.020.062._</p> <p>NBR (sw), S (tr)</p>	<p>2.4 gr</p> <p>10 mm</p>
<p>Art No : 220.020.060._</p> <p>S (tr)</p>	<p>2.0 gr</p> <p>9 mm</p>	<p>Art No : 220.020.061._</p> <p>S (tr)</p>	<p>3.2 gr</p> <p>0 mm</p>

Wielomieszkowe ssawki próżniowe
Bellows vacuum cups

Ø 20 mm



	 130.250 G 1/8" AG 130.291 G 1/8" AG 130.291-1 G 1/8" AG		
<p>Art No : 240.020.002._</p>	 1.8 gr	<p>Art No : 241.020.001._</p>	 4.6 gr
<p>NBR (sw), S (tr)</p>	 16 mm	<p>NBR (sw), S (tr), CR (sw)</p>	 16 mm
	 130.250 G 1/8" AG 130.291 G 1/8" AG 130.291-1 G1/8" AG		 130.312 M 6 AG
<p>Art No : 250.020.001.02._</p>	 1.6 gr	<p>Art No : 240.020.012._</p>	 2.0 gr
<p>S (tr)</p>	 20 mm	<p>NBR (sw), S (tr)</p>	 10 mm

Wielomieszkowe ssawki próżniowe
Bellows vacuum cups

Ø 20 mm Ø 22 mm Ø 23 mm



	<p>130.040 M 8 AG</p> <p>130.077 G 1/8"AG</p>		
<p>Art No : 250.020.002._</p>	<p>4.3 gr</p>	<p>Art No : 210.020.106._</p>	<p>8.0 gr</p>
<p>NBR (sw), S (w), NR (sw)</p>	<p>26 mm</p>	<p>NR (sw), S (tr)</p>	<p>10 mm</p>
	<p>130.003 G 1/8"AG</p> <p>130.013 M 5 AG</p> <p>130.015 G 1/8"IG</p> <p>130.103 M 6 AG</p>		<p>130.112 G 1/8"AG</p> <p>130.113 G 1/4"AG</p> <p>130.114 G 1/8"IG</p> <p>130.178 G 1/4"IG</p>
<p>Art No : 210.022.021._</p>	<p>2.0 gr</p>	<p>Art No : 220.023.067._</p>	<p>4.0 gr</p>
<p>NBR (sw), S (tr), HNBR, Vinyl (bl)</p>	<p>8 mm</p>	<p>S (g)</p>	<p>19 mm</p>

Wielomieszkowe ssawki próżniowe
Bellows vacuum cups

Ø 23 mm Ø 24 mm



	<p>130.109 G 1/8"IG</p> <p>130.194 G 1/4"AG</p> <p>130.197 M 5 AG</p> <p>130.238 G 1/8"AG</p>		<p>130.097 G 1/4"AG</p> <p>130.098 G 1/4"IG</p> <p>130.177 M 10 AG</p>
<p>Art No : 210.023.014.03._</p>	<p>2.2 gr</p>	<p>Art No : 220.023.070._</p>	<p>3.8 gr</p>
<p>NR-Soft (b)</p>	<p>5 mm</p>	<p>Vinyl (bl)</p>	<p>9 mm</p>
	<p>130.233 G 1/8"IG</p>		<p>130.233 G 1/8"IG</p>
<p>Art No : 220.024.068._</p>	<p>4.0 gr</p>	<p>Art No : 240.024.013._</p>	<p>5.0 gr</p>
<p>NBR (sw), S (tr)</p>	<p>10 mm</p>	<p>S (tr)</p>	<p>20 mm</p>

Wielomieszkowe ssawki próżniowe
Bellows vacuum cups

Ø 24 mm Ø 25 mm



	<p>130.046 G 1/4"IG</p> <p>130.048 G 1/4"AG</p> <p>130.107 G 1/8"AG</p> <p>130.245 G 1/8"IG</p>	
<p>Art No:210.024.0625.00.VU</p> <p>PU (b) 70⁰ Shore</p>	<p>4.0 gr</p> <p>13 mm</p>	<p>Art No : 210.025.144._</p>
	<p>130.003 G 1/8"AG</p> <p>130.013 M 5 AG</p> <p>130.103 M 6 AG</p> <p>130.109 G 1/8"IG</p>	<p>130.092 G 1/8"IG</p> <p>130.093 G 1/8"AG</p> <p>130.099 G 1/4"AG</p> <p>130.249 G 1/4"AG</p> <p>130.248 G 1/4"IG</p>
<p>Art No : 210.025.004._</p> <p>NBR (sw), S (tr), NR (gr)</p>	<p>2.4 gr</p> <p>9 mm</p>	<p>Art No : 210.025.065._</p> <p>NBR (sw), S (r), NR-Soft (bg), PU (b), EPDM (gr)</p> <p>5.0 gr</p> <p>5.0 mm</p>

Wielomieszkowe ssawki próżniowe
Bellows vacuum cups

Ø 25 mm



<p>Art No : 220.025.069._</p> <p>S (tr)</p>	 <p>6.0 gr</p> <p>16 mm</p>	<p>Art No : 214.025.005._</p> <p>NBR (sw), S (tr), NR (sw)</p>	 <p>13 gr</p> <p>11 mm</p>
	 <p>0.1 gr</p> <p>0.1 mm</p>	 	
<p>Art No : 220.025.113._</p> <p>NBR (sw), S (tr), SLAS (sw), PU (bl), FKM (gr)</p>	 <p>0.1 gr</p> <p>0.1 mm</p>	<p>Art No : 220.025.031._</p> <p>NBR (sw), S (tr), HNBR</p>	 <p>4.0 gr</p> <p>19 mm</p>

Wielomieszkowe ssawki próżniowe
Bellows vacuum cups

Ø 25 mm Ø 26 mm



	<p>130.182-O G1/4"IG</p> <p>130.182-U G1/4"IG</p> <p>130.344 G 1/4"IG</p>		<p>130.003 G 1/8"AG</p> <p>130.013 M 5 AG</p> <p>130.066 G 1/4"IG</p> <p>130.194 G 1/4"AG</p> <p>130.109 G 1/8"IG</p> <p>130.103 M 6 AG</p>
<p>Art No : 240.025.016._</p>	<p>6.5 gr</p>	<p>Art No : 230.025.001._</p>	<p>5.6 gr</p>
<p>NBR (sw), S (tr), S-E(tr)</p>	<p>29 mm</p>	<p>NBR (sw), S (tr)</p>	<p>24 mm</p>
	<p>130.109 G 1/8"IG</p> <p>130.194 G 1/4"AG</p> <p>130.197 M 5 AG</p> <p>130.238 G 1/8"AG</p>		<p>130.044 G 1/4"AG</p> <p>130.048 G 1/4"AG</p> <p>130.107 G 1/8"AG</p> <p>130.177 M 10 AG</p>
<p>Art No : 230.025.004._</p>	<p>3.6 gr</p>	<p>Art No : 210.025.103._</p>	<p>5.8 gr</p>
<p>NBR (sw), S (tr)</p>	<p>9 mm</p>	<p>NBR (sw), S (tr), NR (sw), NR-Soft (b)</p>	<p>12 mm</p>

Wielomieszkowe ssawki próżniowe
Bellows vacuum cups

∅ 26 mm



<p>Art No : 210.026.099._</p>	3.0 gr	<p>Art No : 210.026.100._</p>	5.0 gr
<p>Vinyl (bl)</p>	8 mm	<p>Vinyl (bl)</p>	12.5 mm
<p>Art No : 220.026.072._</p>	9.0 gr	<p>Art No : 220.026.073._</p>	9.0 gr
<p>NR (sw), S (tr)</p>	16 mm	<p>S (tr)</p>	16 mm

Wielomieszkowe ssawki próżniowe
Bellows vacuum cups

∅ 27 mm ∅ 28 mm ∅ 29 mm ∅ 30 mm



		<p>130.033 G 1/8"AG</p> <p>130.035 G 1/8"IG</p>	
<p>Art No : 250.027.003._</p> <p>Vinyl (bl)</p>	<p>18 gr</p> <p>38 mm</p>	<p>Art No : 210.028.098._</p> <p>Vinyl (bl) 55⁰ Shore</p>	<p>3.0 gr</p> <p>9 mm</p>
		<p>130.043 G 1/4"AG</p> <p>130.114 G 1/8"IG</p> <p>130.030 G 1/8"AG</p> <p>130.062 G 1/8"IG</p>	
<p>Art No : 220.029.056._</p> <p>Vinyl (bl)</p>	<p>7.0 gr</p> <p>12 mm</p>	<p>Art No : 210.030.061._</p> <p>Vinyl (bl)</p>	<p>4.7 gr</p> <p>10.5 mm</p>

Wielomieszkowe ssawki próżniowe
Bellows vacuum cups

Ø 30 mm



	 130.019 G 1/8"IG 130.030 G 1/8"AG		 130.019 G 1/8"IG 130.030 G 1/8"AG 130.233 G 1/8"IG
<p>Art No : 210.030.109._</p> <p>NBR (gr), S (tr), NR (r), PU (bg)</p>	 3.4 gr 10 mm	<p>Art No:210.030.0699.07.VU</p> <p>PU (b) 70⁰ Shore</p>	 4.0 gr 8 mm
	 130.019 G 1/8"IG 130.030 G 1/8"AG 130.304 G 1/4"AG 130.312 M 6 AG 130.308 G 1/4"IG 130.307 G 1/8"IG		 130.019 G 1/8"IG 130.030 G 1/8"AG 130.274 G 1/4"AG 130.312 M 6 AG 130.275 G 1/4"IG
<p>Art No:210.030.0998.06.VU</p> <p>PU (b) 70⁰ Shore</p>	 6.8 gr 8 mm	<p>Art No : 210.030.055._</p> <p>NBR (sw), S (tr), PU (bl)</p>	 9.0 gr 9 mm

Wielomieszkowe ssawki próżniowe
Bellows vacuum cups

Ø 30 mm



<p>130.208 G 1/4"AG</p>	<p>130.097 G 1/4"AG</p> <p>130.098 G 1/4"IG</p>		
<p>Art No : 210.030.049._</p> <p>NBR (sw), S (tr)</p>	<p>2.9 gr</p> <p>11.0 mm</p>	<p>Art No : 210.030.136._</p> <p>NBR (sw), S (tr), NR (sw), NR-Soft (b)</p>	<p>8.5 gr</p> <p>16.0 mm</p>
<p>Art No : 213.030.010._</p> <p>NBR (sw), S (tr), NR (sw)</p>	<p>8.5 gr</p> <p>16.0 mm</p>	<p>Art No : 214.030.004._</p> <p>NBR (sw), S (tr)</p>	<p>14.0 gr</p> <p>9.0 mm</p>

Wielomieszkowe ssawki próżniowe
Bellows vacuum cups

Ø 30 mm



	 130.247 M 8 AG 130.312 M 6 AG		
<p>Art No : 210.030.016._</p>	3.4 gr	<p>Art No : 210.030.145._</p>	
<p>NBR (sw), S (tr)</p>	9.0 mm	<p>S (tr), PU (bl)</p>	
		 130.248 G 1/4"IG 130.249 G 1/4"AG	
<p>Art No : 210.030.146._</p>		<p>Art No : 220.030.039._</p>	6.5 gr
<p>S (tr)</p>		<p>NR-Soft (bl), S (tr)</p>	13.0 mm

Wielomieszkowe ssawki próżniowe
Bellows vacuum cups

Ø 30 mm



	<p>130.097 G 1/4"AG</p> <p>130.098 G 1/4"IG</p> <p>130.177 M 10 AG</p>		<p>130.030 G 1/8"AG</p> <p>130.034 G 1/4"AG</p> <p>130.038 G 1/4"IG</p> <p>130.255 M 8 AG</p>
<p>Art No : 220.030.071._</p> <p>NBR (sw), S (tr), NR (sw), PU (or) NR-Soft (b)</p>	<p>10.0 gr</p> <p>18.0 mm</p>	<p>Art No : 223.030.008._</p> <p>NBR (sw), S (tr), NR (sw)</p>	<p>16.0 gr</p> <p>18.0 mm</p>
	<p>130.043 G 1/4"AG</p> <p>130.092 G 1/8"IG</p> <p>130.093 G 1/8"AG</p> <p>130.315 M 6 AG</p> <p>130.178 G 1/4"IG</p>		<p>130.030 G 1/8"AG</p> <p>130.034 G 1/4"AG</p> <p>130.038 G 1/4"IG</p> <p>130.255 M 8 AG</p>
<p>Art No : 220.030.074._</p> <p>NBR (sw), S (r)</p>	<p>7.0 gr</p> <p>18 mm</p>	<p>Art No:210.030.0401.00.VU</p> <p>PU (b) 70⁰ Shore</p>	<p>5.4 gr</p> <p>14 mm</p>

Wielomieszkowe ssawki próżniowe
Bellows vacuum cups

Ø 30 mm



	130.006 G 1/8"AG 130.092 G 1/8"IG 130.093 G 1/8"AG		130.097 G 1/4"AG 130.098 G 1/4"IG
<p>Art No : 220.030.006._</p> <p>NBR (sw), S (tr), S (r), PU (bl), FKM (sw), NR-Soft (bg), EPDM (gr)</p>	8.0 gr 13.0 mm	<p>Art No : 220.030.075._</p> <p>NBR (sw), S (bl)</p>	8.0 gr 14.0 mm
	130.008 G 1/4"IG 130.030 G 1/8"AG 130.043 G 1/4"AG		130.008 G 1/4"IG 130.030 G 1/8"AG 130.043 G 1/4"AG
<p>Art No : 220.030.065._</p> <p>NBR (sw), S (tr), NR (sw)</p>	8.0 gr 15.0 mm	<p>Art No : 220.030.064._</p> <p>NBR (sw), S (tr), NR (sw)</p>	8.0 gr 15.0 mm

Wielomieszkowe ssawki próżniowe
Bellows vacuum cups

∅ 30 mm



	<p>130.012 G 1/8"AG</p> <p>130.251 G 1/8"IG</p> <p>130.293 G 1/4"AG</p> <p>130.295 G 3/8"AG</p>	<p>G 1/8"</p> <p>40</p> <p>∅21</p> <p>∅30</p>	
<p>Art No : 240.030.003._</p> <p>NBR (sw), S (tr), CR (sw), S (r)</p>	<p>6.0 gr</p> <p>21.0 mm</p>	<p>Art No : 241.030.002._</p> <p>NBR (sw), S (tr), CR (sw)</p>	<p>12.0 gr</p> <p>21.0 mm</p>
	<p>130.312 M 6 AG</p>	<p>∅40</p> <p>∅28,5</p> <p>∅6</p> <p>22</p> <p>80</p> <p>∅15,5</p> <p>∅30</p>	<p>130.043 G 1/4"AG</p> <p>130.248 G 1/4"IG</p> <p>130.132 G 1/8"AG</p>
<p>Art No : 240.030.014._</p> <p>NBR (sw), S (tr)</p>	<p>6.0 gr</p> <p>17.0 mm</p>	<p>Art No : ES.030.001._</p> <p>NR (sw), S (tr)</p>	<p>27.8 gr</p> <p>35.0 mm</p>

Wielomieszkowe ssawki próżniowe
Bellows vacuum cups

∅ 30 mm ∅ 31 mm ∅ 32 mm



<p>Art No : 240.030.015._</p> <p>NBR (sw), S (tr), NR (sw)</p>	<p>12.0 gr</p> <p>27.0 mm</p>	<p>Art No : 210.031.101._</p> <p>Vinyl (bl) 55⁰ Shore</p>	<p>6.0 gr</p> <p>7.0 mm</p>
<p>Art No : 220.031.028._</p> <p>NR (sw), S (tr)</p>	<p>6.0 gr</p> <p>7.0 mm</p>	<p>Art No : 220.032.057._</p> <p>Vinyl (bl)</p>	<p>6.5 gr</p> <p>10.0 mm</p>

Wielomieszkowe ssawki próżniowe
Bellows vacuum cups

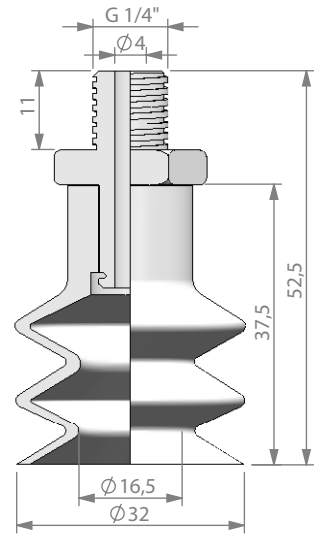
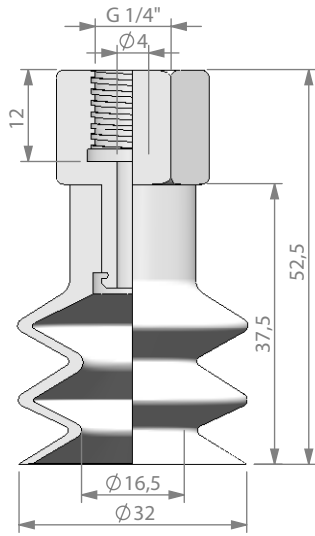
Ø 30 mm Ø 32 mm



	 130.046 G 1/4"IG 130.048 G 1/4"AG 130.177 M 10 AG		 130.046 G 1/4"IG 130.048 G 1/4"AG
<p>Art No : 220.032.076._</p> <p>NR (sw)</p>	 5.0 gr 13.0 mm	<p>Art No : 220.032.058._</p> <p>Vinyl (bl) 55⁰ Shore</p>	 7.0 gr 14.0 mm
	 130.132 G 1/8"AG 130.190 G 1/4"AG 130.192 G 1/4"IG		 130.114 G 1/8"IG 130.132 G 1/8"AG 130.190 G 1/4"AG 130.192 G 1/4"IG
<p>Art No:220.030.0985.07.VU</p> <p>PU (b) 70⁰ Shore</p>	 6.6 gr 16.0 mm	<p>Art No : 220.032.003._</p> <p>NBR (sw), S (tr), S-E (tr), PU (bl), NR (gr), HNBR</p>	 10.0 gr 13.0 mm

Wielomieszkowe ssawki próżniowe
Bellows vacuum cups

Ø 32 mm



Art No : 221.032.009._



18.0 gr

10.0 mm

NBR (sw), S (tr)

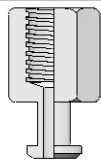
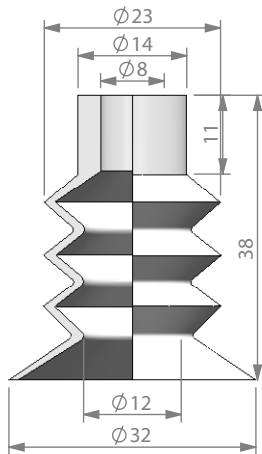
Art No : 222.032.007._



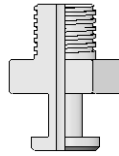
18.0 gr

10.0 mm

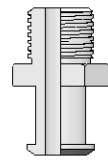
NBR (sw), S (tr)



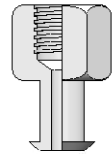
130.019 G 1/8"IG



130.030 G 1/8"AG



130.190 G 1/4"AG



130.192 G 1/4"IG

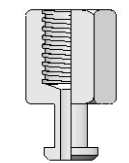
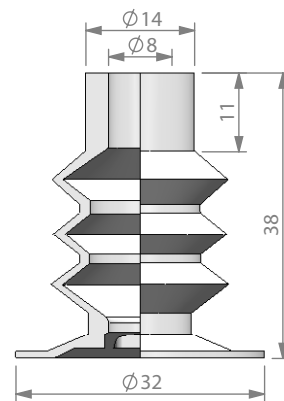
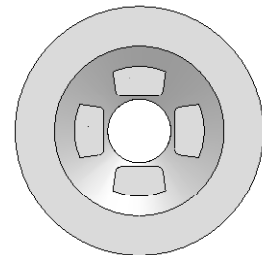
Art No : 230.032.006._



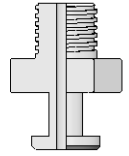
4.0 gr

15.0 mm

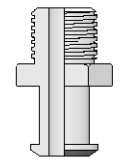
NR-Soft (b)



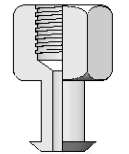
130.019 G 1/8"IG



130.030 G 1/8"AG



130.190 G 1/4"AG



130.192 G 1/4"IG

Art No : 230.032.007._



4.0 gr

14.0 mm

NR-Soft (b)

Wielomieszkowe ssawki próżniowe
Bellows vacuum cups

Ø 33 mm



	 130.250 G 1/8"AG 130.291 G 1/8"AG 130.291-1 G1/8"AG 130.189 G 1/8"AG		
<p>Art No : 210.033.019._</p> <p>NBR (sw), S (tr), CR (sw), PU (or), S (r)</p>	 6.5 gr 9.0 mm	<p>Art No : 211.033.003._</p> <p>NBR (sw), S (tr), CR (sw), PU (or)</p>	 8.0 gr 9.0 mm
	 130.101 G 1/4"AG		 130.114 G 1/8"IG 130.132 G 1/8"AG 130.190 G 1/4"AG 130.192 G 1/4"IG
<p>Art No : 210.033.110._</p> <p>Vinyl (bl)</p>	 6.5 gr 10.0 mm	<p>Art No : 210.033.022._</p> <p>NBR (sw), S (tr), S 30⁰, NR (gr), HNBR</p>	 7.0 gr 12.0 mm

Wielomieszkowe ssawki próżniowe
Bellows vacuum cups

Ø 33 mm Ø 34 mm



	 130.092 G 1/8"IG 130.093 G 1/8"AG		 130.112 G 1/8"AG 130.132 G 1/8"AG
<p>Art No : ES.033.007._</p>	 8.0 gr	<p>Art No : ES.033.002._</p>	 7.0 gr
<p>NR (sw), S (tr)</p>	 16.0 mm	<p>S (tr)</p>	 25.0 mm
	 130.034 G 1/4"AG 130.038 G 1/4"IG		 130.092 G 1/8"IG 130.093 G 1/8"AG
<p>Art No:220.034.0335.07._</p>	 9.0 gr	<p>Art No : ES.034.004._</p>	 17.0 gr
<p>PU (b) 70 ° Shore</p>	 18.0 mm	<p>S (r) 40 °, S (tr) 30 °, S-E (r) 30 °, S (r) 50 °</p>	 43.0 mm

Wielomieszkowe ssawki próżniowe
Bellows vacuum cups

Ø 34 mm Ø 35 mm



	 130.182-O G1/4"IG 130.182-U G1/4"IG 130.183 G 1/4"AG		
<p>Art No : 220.035.077._</p> <p>Vinyl (bl)</p>	6.4 gr 13.0 mm	<p>Art No : 250.034.004._</p> <p>NR (sw), S (tr), S-E(tr)</p>	6.0 gr 20.5 mm
	 130.131 M 8 AG		 130.041 G 1/8"IG 130.043 G 1/4"AG 130.131 M 8 AG
<p>Art No : 210.035.111._</p> <p>Vinyl (bl)</p>	5.0 gr 14.0 mm	<p>Art No : 210.035.112._</p> <p>Vinyl (bl)</p>	7.0 gr 12.0 mm

Wielomieszkowe ssawki prozniowe
Bellows vacuum cups

Ø 35 mm Ø 36 mm



	<p>130.182-O G1/4"IG</p>		
<p>Art No : 250.035.005._</p>	10.0 gr	<p>Art No : 230.035.008._</p>	9.0 gr
<p>NR (sw), S (tr), S-E (tr)</p>	26.5 mm	<p>NBR (sw), S (tr), NR (sw)</p>	20.0 mm
			<p>130.030 G 1/8"AG</p> <p>130.114 G 1/8"IG</p> <p>130.248 G 1/4"IG</p> <p>130.249 G 1/4"AG</p>
<p>Art No : 230.036.009._</p>	8.0 gr	<p>Art No : 210.036.107._</p>	4.0 gr
<p>Vinyl (bl)</p>	20.0 mm	<p>NR (sw), S (tr), NR-Soft (b)</p>	7.0 mm

Wielomieszkowe ssawki próżniowe
Bellows vacuum cups

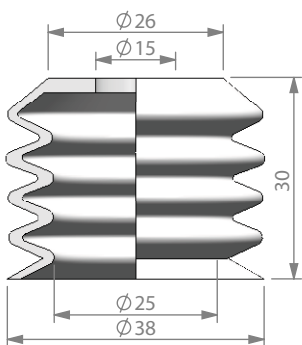
Ø 36 mm Ø 37 mm Ø 38 mm



<p>Art No : 240.037.017._</p> <p>S (r), S (or) 75⁰ Shore, PU (bg)</p>	<p>9.0 gr 19.0 mm</p>		
		<p>Art No : 250.036.007._</p> <p>Vinyl (bl)</p>	<p>17.0 gr 22.0 mm</p>
<p>Art No : 230.038.011._</p> <p>NR, NR-Soft (b), S (tr)</p>	<p>5.0 gr 16.0 mm</p>	<p>Art No : 230.038.010._</p> <p>NR (sw), S (tr), NR-Soft (b)</p>	<p>4.0 gr 16.0 mm</p>

Wielomieszkowe ssawki próżniowe
Bellows vacuum cups

Ø 38 mm

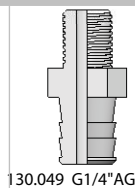
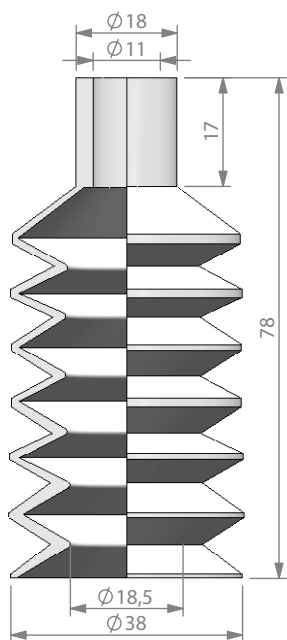


Art No : 240.038.018._

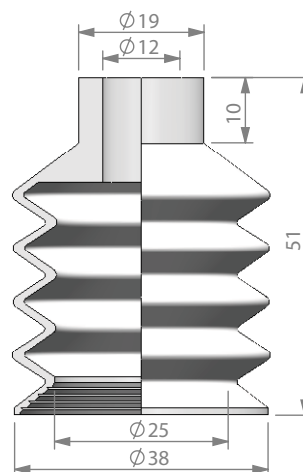


7.5 gr

18.0 mm



130.049 G1/4"AG



130.049 G1/4"AG

Art No : 250.038.008.V._



16.0 gr

35.0 mm

Vinyl (bl)

Art No : 250.038.019._



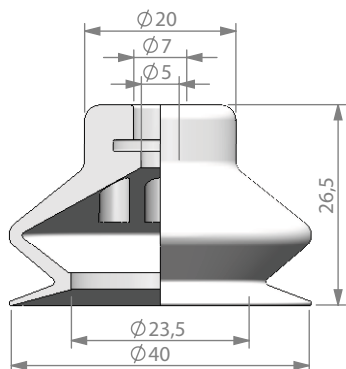
14.0 gr

23.0 mm

NBR (sw), S (tr), S-Soft (tr)

Wielomieszkowe ssawki próżniowe
Bellows vacuum cups

Ø 40 mm



Art No : 210.040.147._



15.0 gr

S (tr)

9.0 mm

Wielomieszkowe ssawki próżniowe
Bellows vacuum cups

∅ 40 mm



	<p>130.019 G 1/8"IG</p> <p>130.030 G 1/8"AG</p> <p>130.274 G 1/4"AG</p> <p>130.312 M 6 AG</p> <p>130.275 G 1/4"IG</p>		<p>130.092 G 1/8"IG</p> <p>130.093 G 1/8"AG</p> <p>130.248 G 1/4"IG</p> <p>130.249 G 1/4"AG</p>
<p>Art No : 210.040.056._</p>	15.0 gr	<p>Art No : 210.040.122._</p>	4.0 gr
<p>NBR (sw), S (tr), PU (bl)</p>	10.0 mm	<p>NBR (sw), S (tr)</p>	9.0 mm
<p>Art No : 210.040.148._</p>	13.0 gr	<p>Art No : 210.040.173._</p>	14.0 gr
<p>S (tr)</p>	12.0 mm	<p>NR-Soft (sw)</p>	8.0 mm

Wielomieszkowe ssawki próżniowe
Bellows vacuum cups

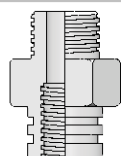
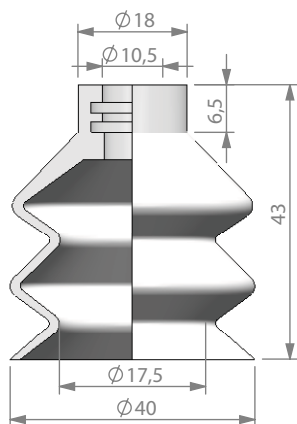
∅ 40 mm



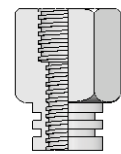
	 130.255 M 8 AG		 130.092 G 1/8"IG
<p>Art No : 210.040.038._</p>	9.6 gr	<p>Art No : 210.040.066._</p>	13.5 gr
<p>NBR (sw), S (tr)</p>	10.0 mm	<p>NBR (sw), S (r), NR-Soft (bg), PU (bl), EPDM (g)</p>	13.0 mm
	 130.092 G 1/8"IG		 130.093 G 1/8"AG
<p>Art No:210.040.0889.00._</p>	16.0 gr	<p>Art No : 213.040.003._</p>	31.0 gr
<p>PU (b) 70° Shore</p>	12.0 mm	<p>NBR (sw), S (tr), NR (sw)</p>	12.0 mm

Wielomieszkowe ssawki próżniowe
Bellows vacuum cups

∅ 40 mm



130.097 G 1/4"AG



130.098 G 1/4"IG

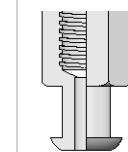
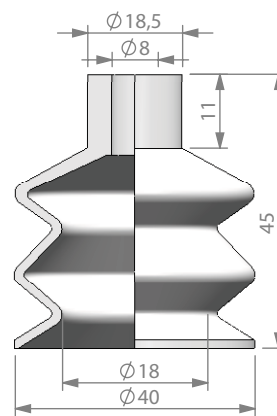
Art No : 220.040.079._



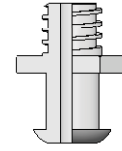
14.0 gr

NBR (sw), S (bl)

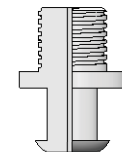
20.0 mm



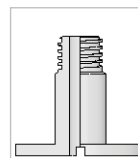
130.092 G 1/8"IG



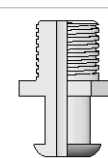
130.093 G 1/8"AG



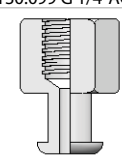
130.099 G 1/4"AG



130.315 M 6 AG



130.249 G 1/4"AG



130.248 G 1/4"IG

Art No : 220.040.010._



15.0 gr

NBR , S (r), NR-Soft (bg), PU (bl), EPDM (gr)

20.0 mm

Wielomieszkowe ssawki próżniowe
Bellows vacuum cups

∅ 40 mm



	<p>130.116 G 1/4 IG</p>		<p>130.254 M 6 AG</p>
<p>Art No : 220.040.080._</p>	<p>18.0 gr</p>	<p>Art No : 223.040.003._</p>	<p>23.0 gr</p>
<p>NBR (sw), S (tr)</p>	<p>18.0 mm</p>	<p>NBR (sw), S (tr), NR (sw)</p>	<p>20.0 mm</p>
	<p>130.183 G 1/4 AG</p>		<p>130.255 M 8 AG</p>
<p>Art No : 240.040.001._</p>	<p>7.0 gr</p>	<p>Art No : 240.040.021._</p>	<p>14.0 gr</p>
<p>S (tr), S-E (tr)</p>	<p>24.0 mm</p>	<p>NBR (sw), S (tr)</p>	<p>21.0 mm</p>

Wielomieszkowe ssawki próżniowe
Bellows vacuum cups

∅ 40 mm ∅ 41 mm

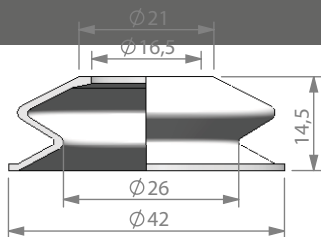


			<p>130.092 G 1/8"IG</p> <p>130.093 G 1/8"AG</p> <p>130.249 G 1/4"AG</p> <p>130.248 G 1/4"IG</p>
		<p>Art No : 210.041.108._</p>	<p>5.0 gr</p>
		<p>NR (sw), S (tr), NR-Soft (b)</p>	<p>7.0 mm</p>

	<p>130.251 G 1/8"IG</p> <p>130.274 G 1/4"AG</p> <p>130.293 G 1/4"AG</p> <p>130.571 G 1/4" AG</p>	<p>G 1/8"</p> <p>50</p> <p>∅28 ∅40</p>	<p>Opcja: z filtrem / with disc filter</p> <p>21.0 gr</p> <p>20.0 mm</p>
<p>Art No : 240.040.004._</p>	<p>15.0 gr</p>	<p>Art No : 241.040.003._</p>	<p>21.0 gr</p>
<p>NBR (sw), S (tr), CR (sw)</p>	<p>20.0 mm</p>	<p>NBR (sw), S (tr), CR (sw)</p>	<p>20.0 mm</p>

Wielomieszkowe ssawki prozniowe
Bellows vacuum cups

Ø 40 mm Ø 42 mm



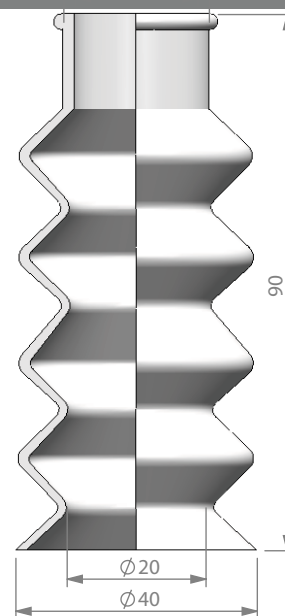
Art No : 210.042.123._



3.0 gr

NR (sw), S (tr), NR-Soft (b)

11.0 mm



Art No : 240.040.023._



29.0 gr

NBR (sw), S (bg)

42.0 mm

Wielomieszkowe ssawki próżniowe
Bellows vacuum cups

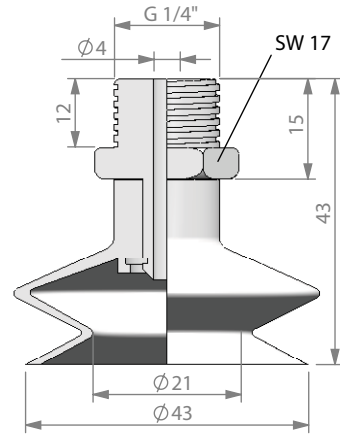
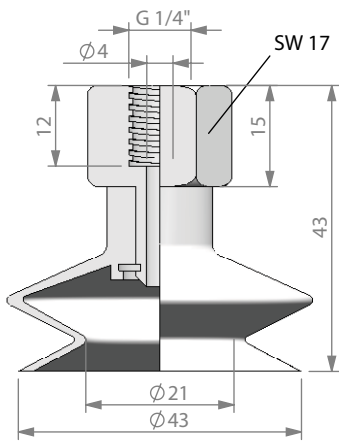
Ø 42 mm Ø 43 mm



<p>Opcja: z filtrem / with disc filter</p>	130.093 G 1/8"AG 130.251 G 1/8"IG 130.571 G 1/4" AG 130.295 G 3/8"AG	<p>Opcja: z filtrem / with disc filter</p>	
<p>Art No : 210.042.020._</p>	10.0 gr 9.0 mm	<p>Art No : 211.042.004._</p>	18.0 gr 9.0 mm
<p>NBR (sw), S (tr), CR (sw), PU (bl), HNBR (wr)</p>		<p>NBR (sw), S (tr), CR (sw), PU (bl), HNBR (wr)</p>	
130.092 G 1/8" IG 130.114 G 1/8"IG 130.132 G 1/8"AG 130.192 G 1/4"IG 130.190 G 1/4"AG		130.099 G 1/4" AG 130.114 G 1/8"IG 130.132 G 1/8"AG 130.315 M 5 AG 130.192 G 1/4"IG 130.190 G 1/4"AG	
<p>Art No : 210.043.005._</p>	10.0 gr 12.0 mm	<p>Art No : 220.043.004._</p>	18.0 gr 19.0 mm
<p>NBR (sw), S (tr), S-Soft, NR (gr), CR (sw), PU (bl), HNBR (wr)</p>		<p>NBR (sw), S (tr), NR (gr), NR-Soft (gr), CR (sw), PU (bl), FKM (gr), HNBR (wr)</p>	

Wielomieszkowe ssawki próżniowe
Bellows vacuum cups

Ø 44 mm



Art No : 211.043.014._



20.0 gr

NR (gr), CR (sw), PU (bl), HNBR (wr)

9.0 mm

Art No : 212.043.005._



18.0 gr

NR (gr), CR (sw), PU (bl), HNBR (wr)

9.0 mm

Wielomieszkowe ssawki próżniowe
Bellows vacuum cups

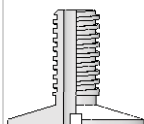
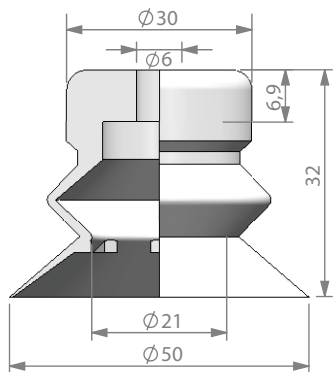
Ø 48 mm



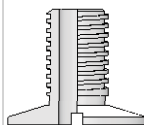
<p>Art No:214.048.0588.00._</p> <p>PU (b) 70° Shore</p>	<p>14.0 gr</p> <p>20.0 mm</p>	<p>Art No : 220.048.095._</p> <p>S (tr)</p>	<p>33.0 gr</p> <p>25.0 mm</p>

Wielomieszkowe ssawki próżniowe
Bellows vacuum cups

Ø 50 mm



130.254 M 6 AG



130.256 M 8 AG

Art No : 210.050.039._



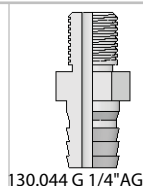
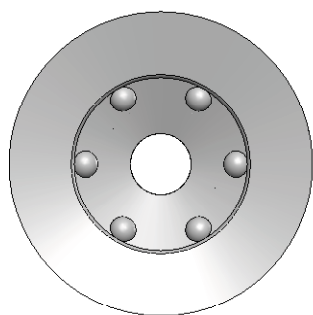
12.8 gr

NBR (sw), S (tr)

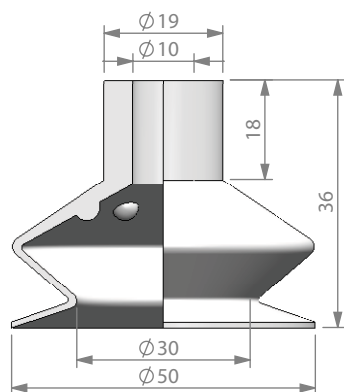
10.0 mm

Wielomieszkowe ssawki próżniowe
Bellows vacuum cups

Ø 50 mm



130.044 G 1/4"AG



Art No : 210.050.118._



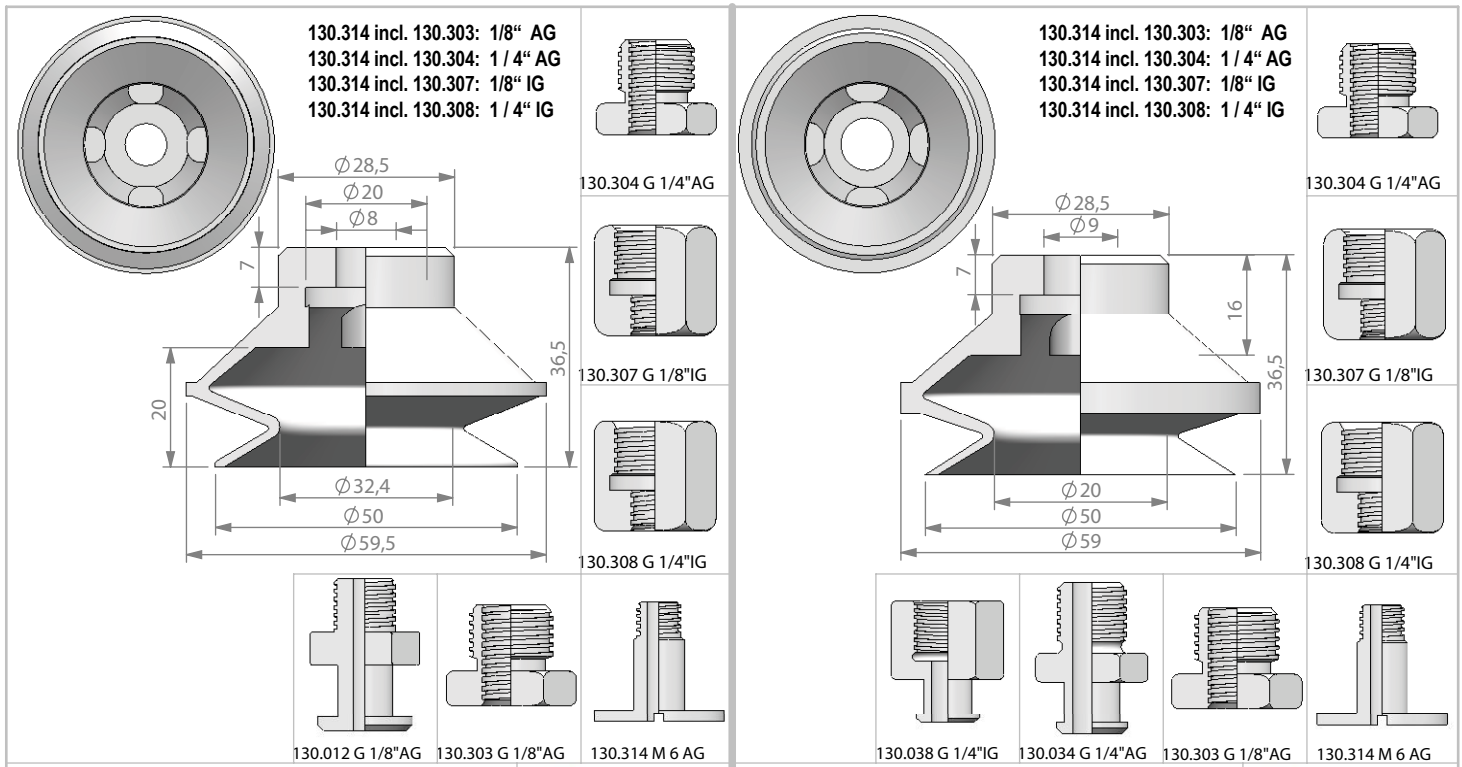
20.0 gr

NBR (sw), NR (bg)

10.0 mm

Wielomieszkowe ssawki próżniowe
Bellows vacuum cups

∅ 50 mm



Art No : 210.050.057._



23.0 gr

10.0 mm

NBR (sw), S (tr), PU (bl), NR (gr), CR (sw)

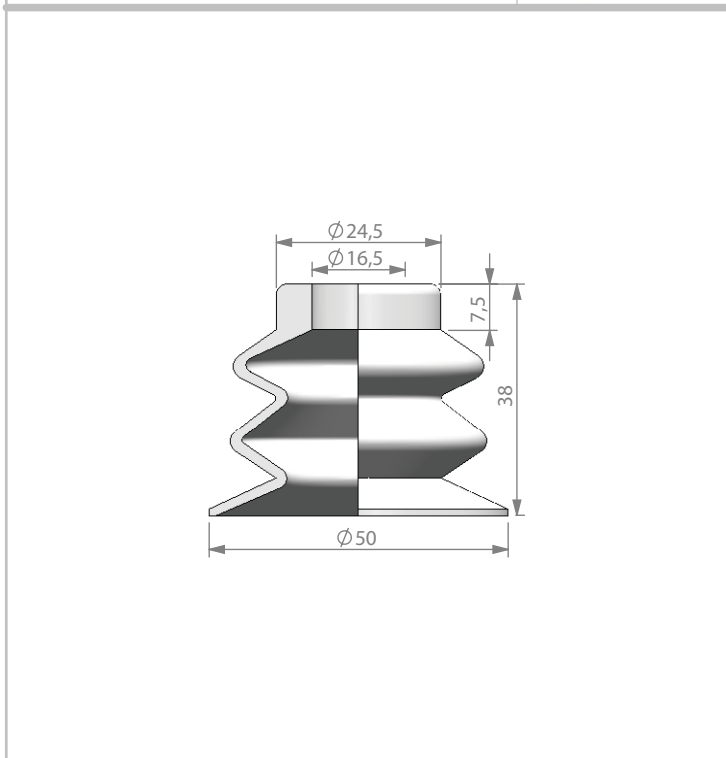
Art No:210.050.0999.06._



19.2 gr

10.0 mm

PU (br)



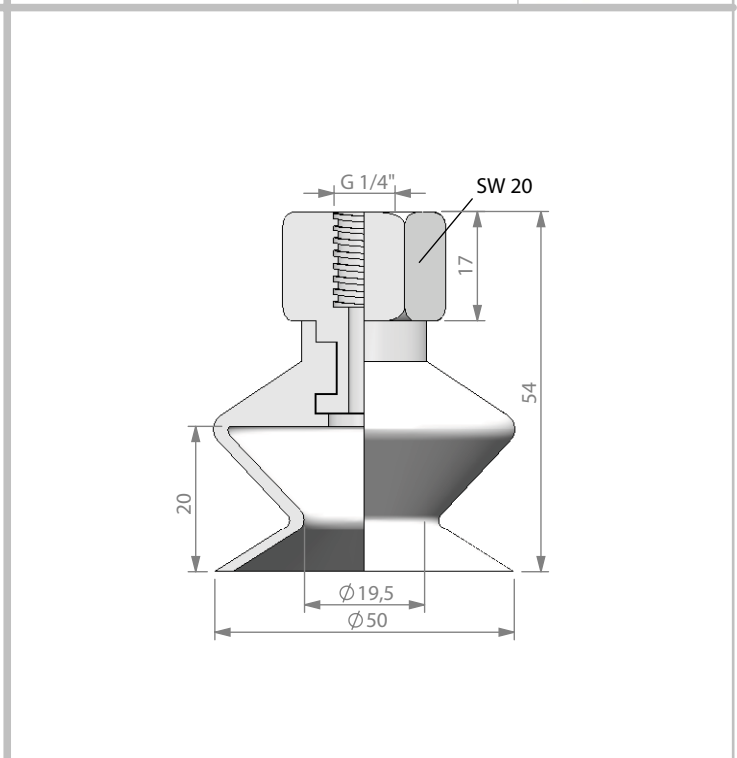
Art No : 220.050.081._



20.0 gr

15.0 mm

Vinyl (bl)



Art No : 213.050.004._



40.0 gr

9.0 mm

NBR (sw), S (tr), S (r), NR(sw)

Wielomieszkowe ssawki próżniowe
Bellows vacuum cups

Ø 50 mm



		<p>130.098 G 1/4\"IG</p> <p>130.101 G 1/4\"AG</p>	

		Art No : 220.050.038._	
		<p>20.0 gr</p> <p>18.0 mm</p>	
		NBR (sw), S (tr), NR (sw), PU (bl), NR-Soft (b)	

Wielomieszkowe ssawki próżniowe
Bellows vacuum cups

∅ 50 mm



		<p>130.049 G1/4"AG</p>
--	--	------------------------

Art No : 220.050.084._

Vinyl (bl)



20.0 gr

25.0 mm

		<p>130.252 G 1/8"IG</p> <p>130.294 G 1/4"AG</p> <p>130.296 G 3/8"AG</p>
--	--	---

Opcja: z filtrem / with disc filter

Art No : 223.050.004._

NBR (sw), S (tr), NR (sw), NR (gr)



50.0 gr

21.0 mm

Art No : 240.050.005._

NBR (sw), S (tr), CR (sw)

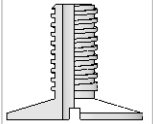
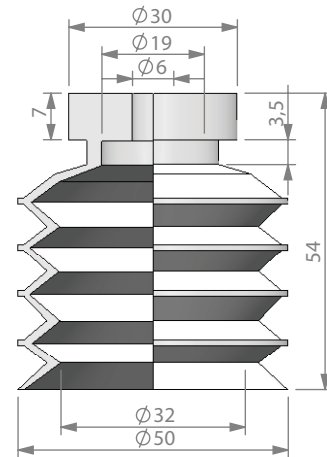
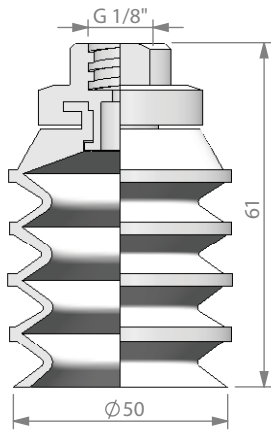


25.0 gr

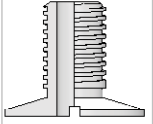
30.0 mm

Wielomieszkowe ssawki próżniowe
Bellows vacuum cups

Ø 50 mm Ø 51 mm



130.254 M 6 AG



130.256 M 8 AG

Opcja: z filtrem / with disc filter

Art No : 241.050.004._



37.0 gr

30.0 mm

NBR (sw), S (tr), CR (sw)

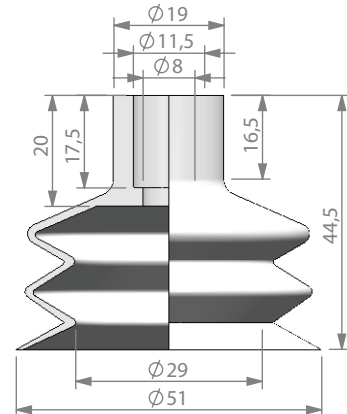
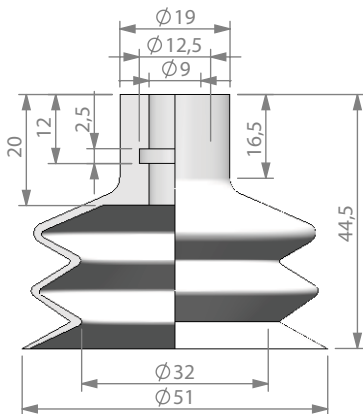
Art No : 240.050.024._



24.0 gr

30.0 mm

NBR (sw), S (tr)



Art No:220.051.0583.07._



15.0 gr

18.0 mm

PU (b) 70° Shore

Art No:220.051.0398.00._



17.0 gr

20.0 mm

PU (b) 70° Shore

Wielomieszkowe ssawki próżniowe
Bellows vacuum cups

Ø 50 mm Ø 52 mm



<p>130.137 incl. 130.059: 1/8" AG 130.137 incl. 130.334: 1/4" IG 130.137 incl. 130.181: 1/4" AG 130.314: 1/8" IG</p>	<p>130.059 G 1/8"AG</p> <p>130.181 G 1/8"AG</p> <p>130.334 G 1/4"IG</p> <p>130.137 G 1/8"IG</p>		<p>130.044 G 1/4"AG</p> <p>130.132 G 1/8"AG</p> <p>130.190 G 1/4"AG</p> <p>130.192 G 1/4"IG</p>
<p>Art No : 250.050.011._</p>	<p>21.0 gr</p>	<p>Art No : 210.052.125._</p>	<p>16.0 gr</p>
<p>NBR (sw), S (tr)</p>	<p>29.0 mm</p>	<p>Vinyl (bl)</p>	<p>6.0 mm</p>
	<p>130.207 G 1/4"AG</p>		<p>130.101 G 1/4"AG</p>
<p>Art No : 210.052.129._</p>	<p>14.0 gr</p>	<p>Art No : 220.052.085._</p>	<p>25.0 gr</p>
<p>Vinyl (bl), S (tr)</p>	<p>6.0 mm</p>	<p>NBR (sw), S (tr)</p>	<p>12.0 mm</p>

Wielomieszkowe ssawki próżniowe
Bellows vacuum cups

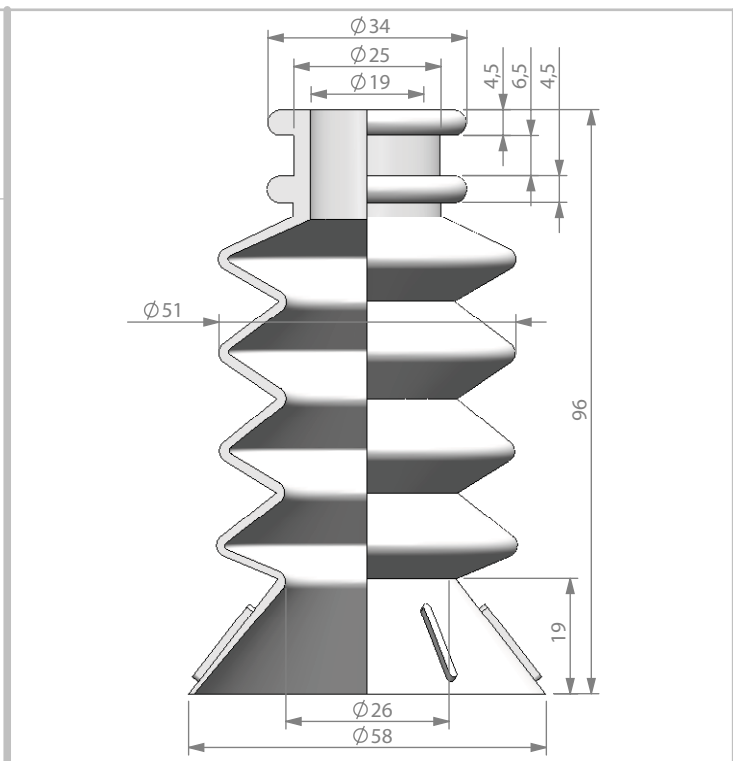
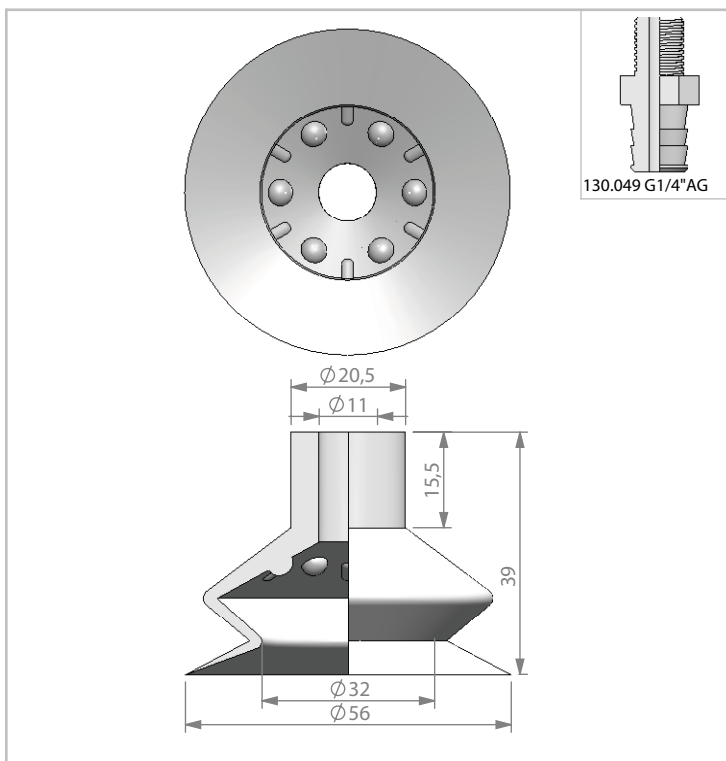
Ø 52 mm Ø 55 mm



	 130.252 G 1/8"IG 130.294 G 1/4"AG 130.296 G 3/8"AG 130.137 1/8" IG 130.572 1/4" AG		<p>Opcja: z filtrem / with disc filter</p>
<p>Art No : 210.052.032._</p>	22.0 gr	<p>Art No : 211.052.005._</p>	32.0 gr
<p>NBR (sw), S (tr), CR (sw), PU (bl), S (r)</p>	12.0 mm	<p>NBR (sw), S (tr), CR (sw), PU (bl)</p>	12.0 mm
<p>130.002 1/4" AG z otwor em Ø 1,5 mm / with bore hole Ø 1,5 mm</p> 130.192 G 1/4"IG 130.190 G 1/4"AG	 130.002 G 1/4"AG 130.114 G 1/8"IG 130.132 G 1/8"AG	 130.044 G 1/4"AG 130.046 G 1/4"IG 130.208 G 1/4"AG	<p>Art No : 210.053.017._</p> 19.0 gr <p>Art No : 210.055.126._</p> 15.0 gr
<p>NBR (sw), S (tr), PU (bl), CR (sw), NR (gr), HNBR (wr)</p>	11.0 mm	<p>NBR (sw), S (r), PU (tr)</p>	11.0 mm

Wielomieszkowe ssawki próżniowe
Bellows vacuum cups

Ø 56 mm Ø 58 mm Ø 60 mm



Art No : 210.056.127._

16.0 gr

Art No : 240.058.025._

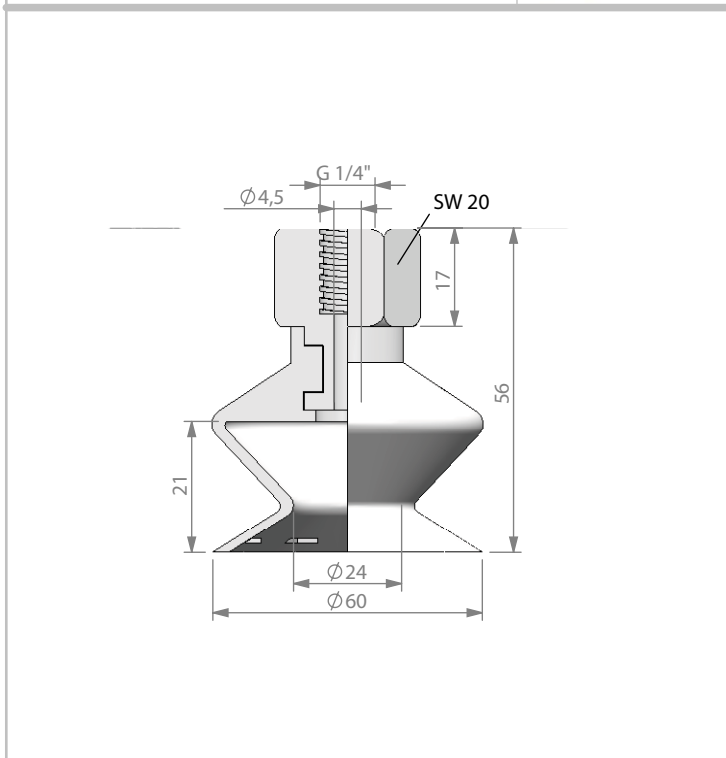
46.0 gr

S (tr)

16.0 mm

Vinyl (bl)

55.0 mm



Art No : 213.060.005._

50.0 gr

NBR (sw), S (tr), NR (gr), FKM (g)

11.0 mm

Wielomieszkowe ssawki prozniowe
Bellows vacuum cups

∅ 60 mm



		<p>130.092 G 1/8"IG</p>
	<p>130.099 1/4" AG mit Bohrung ∅ 1,5 mm / with bore hole ∅ 1,5 mm</p>	<p>130.093 G 1/8"AG</p>
	<p>Art No : 210.060.023._</p>	<p>130.099 G 1/4"AG</p>
	<p>NBR (sw), S (tr), NR-Soft (b), PU (bg)</p>	<p>130.249 G 1/4"AG</p> <p>130.248 G 1/4"IG</p>
		<p>34.0 gr 15.0 mm</p>

Wielomieszkowe ssawki próżniowe
Bellows vacuum cups

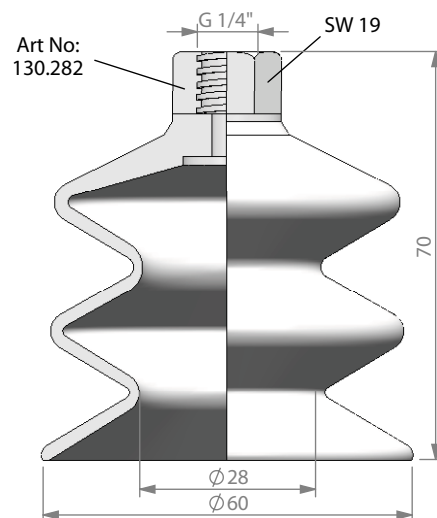
∅ 60 mm



<p>130.099 1/4" AG mit Bohrung ∅ 1,5 mm / with bore hole ∅ 1,5 mm</p>	<p>130.097 G 1/4"AG</p> <p>130.098 G 1/4"IG</p>	<p>130.092 G 1/8"IG</p> <p>130.093 G 1/8"AG</p> <p>130.099 G 1/4"AG</p> <p>130.249 G 1/4"AG</p> <p>130.248 G 1/4"IG</p>	<p>Art No : 220.060.086._</p> <p>40.0 gr</p> <p>27.0 mm</p> <p>NBR (sw), S (rb), PU (bl)</p>	<p>Art No : 220.060.026._</p> <p>60.0 gr</p> <p>24.0 mm</p> <p>NBR (sw), S (bl), NR-Soft (bg), PU (b), EPDM (gr)</p>
<p>Art No : 223.060.005._</p> <p>70.0 gr</p> <p>23.0 mm</p> <p>NBR (sw), S (tr), NR (sw)</p>				

Wielomieszkowe ssawki próżniowe
Bellows vacuum cups

Ø 60 mm



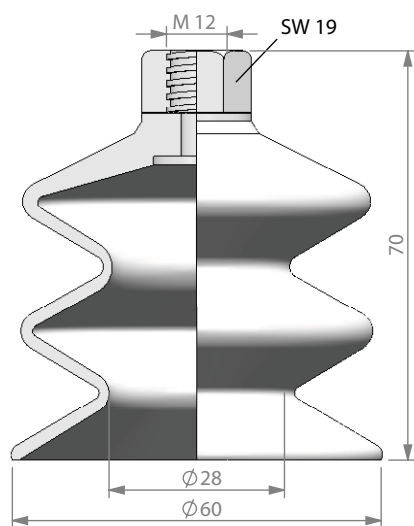
Art No : 221.060.010._

NR (sw), S (tr)



55.0 gr

25.0 mm



Art No : 221.060.011._

NR (sw), S (tr)



55.0 gr

25.0 mm

Wielomieszkowe ssawki próżniowe
Bellows vacuum cups

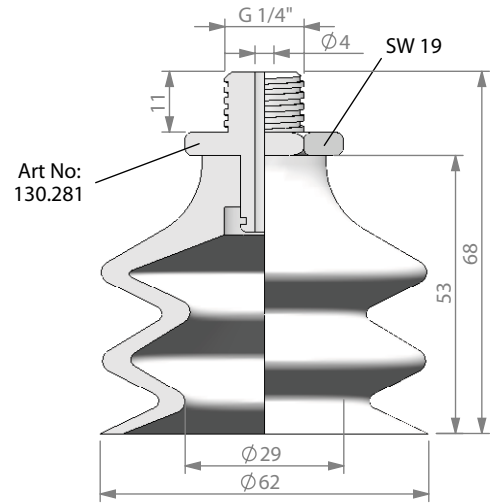
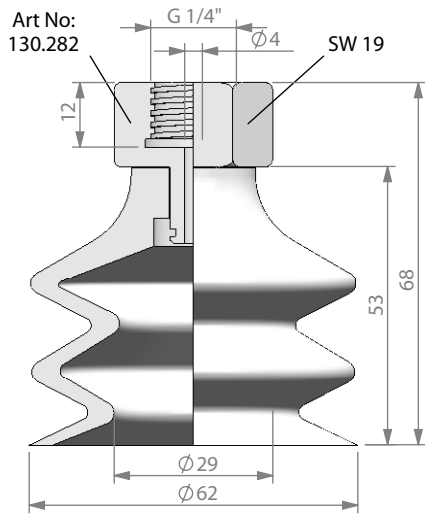
Ø 60 mm Ø 62 mm



		 130.204 G 1/4"AG 130.324 G 1/4"IG 130.352 G 1/8" AG	
		<p>Art No:220.060.0577.00._</p>	19.0 gr
		<p>PU (b) Art No:220.060.100 - NBR (gr)</p>	37.0 mm
	 130.315 M 6 AG 130.511 G 1/4" AG 130.512 G 1/4" AG		 130.093 G 1/8"AG 130.281 G 1/4"AG 130.282 G 1/4"IG
<p>Art No:220.060.0987.07._</p>	36.6 gr	<p>Art No : 220.062.035._</p>	50.0 gr
<p>PU (b) 70° Shore</p>	25.0 mm	<p>NBR (sw), S (tr), S-Soft 30°, PU (bl), HNBR (wr)</p>	25.0 mm

Wielomieszkowe ssawki próżniowe
Bellows vacuum cups

Ø 62 mm Ø 69 mm Ø 70 mm



Art No : 221.062.002._



60.0 gr

25.0 mm

NBR (sw), S (tr), PU (bl)

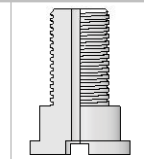
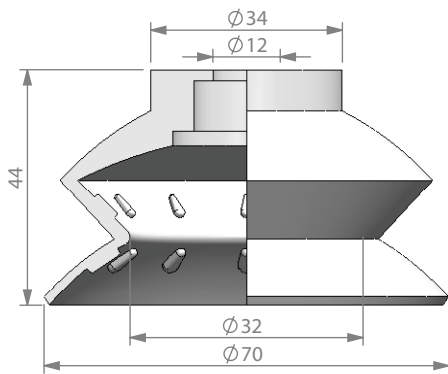
Art No : 222.062.009._



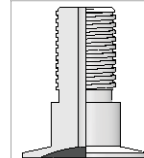
60.0 gr

25.0 mm

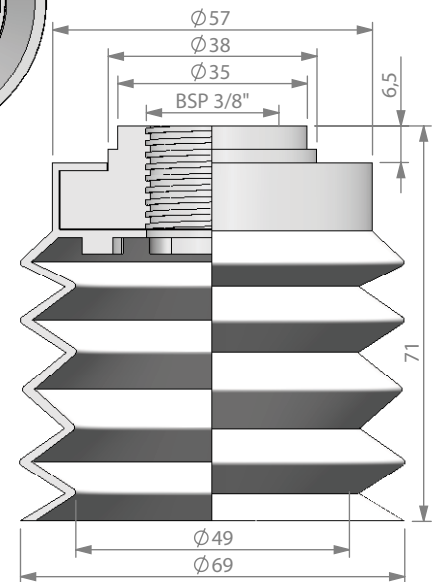
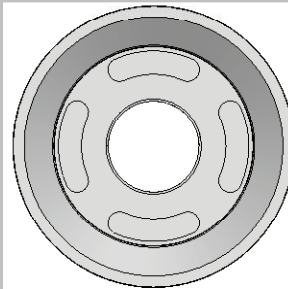
NBR (sw), S (tr), PU (bl)



130.145 G 1/4 AG



130.184 G 1/4 AG



Art No : 210.070.105._



40.0 gr

20.0 mm

NBR (sw), S (tr), NR (sw), PU (tr), Vinyl (bl)

Art No : 243.069.001._



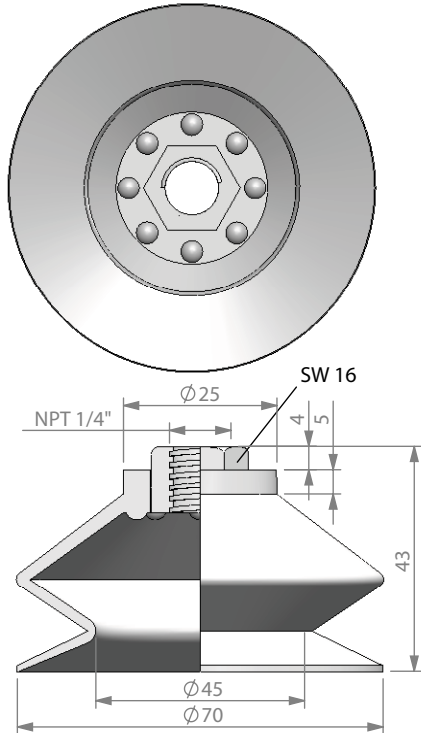
122.0 gr

32.0 mm

Vinyl (bl)

Wielomieszkowe ssawki próżniowe
Bellows vacuum cups

Ø 70 mm Ø 75 mm



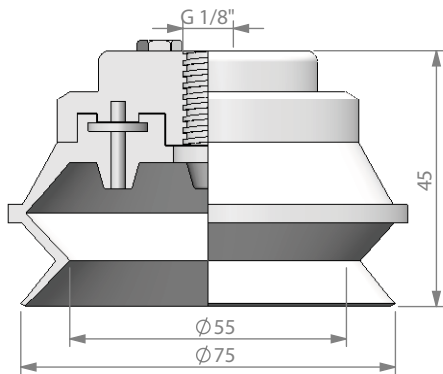
Art No : 213.070.013._



50.0 gr

Vinyl (bl)

13.0 mm



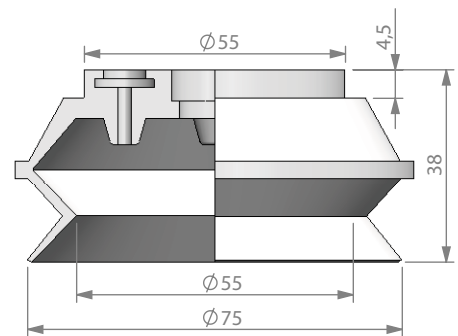
Art No : 211.075.006._



113.0 gr

NBR (sw), S (tr), PU (bl), HNBR (wr)

22.0 mm



Art No : 210.075.033._



45.0 gr

NBR (sw), S (tr), S (r), PU (bl), HNBR (wr)

22.0 mm

Wielomieszkowe ssawki próżniowe
Bellows vacuum cups

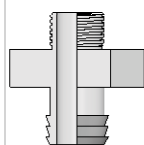
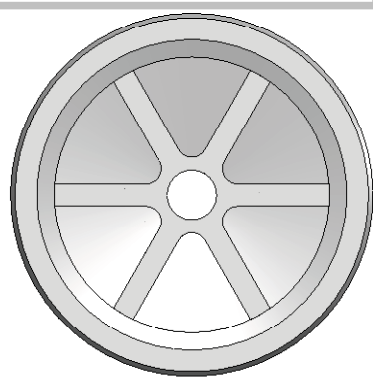
Ø 75 mm Ø 78 mm



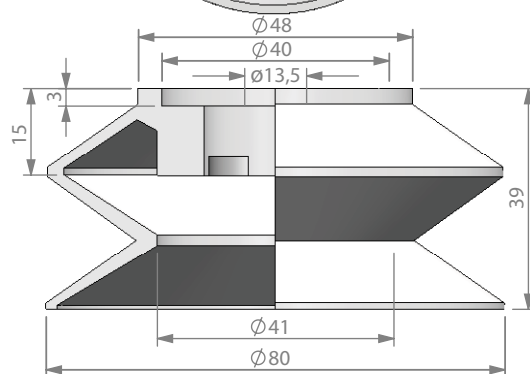
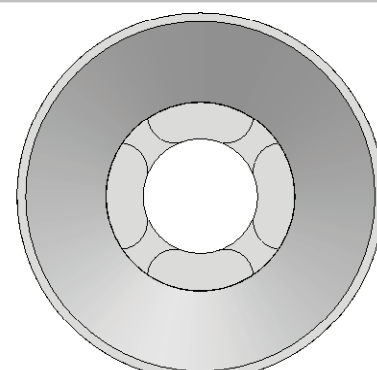
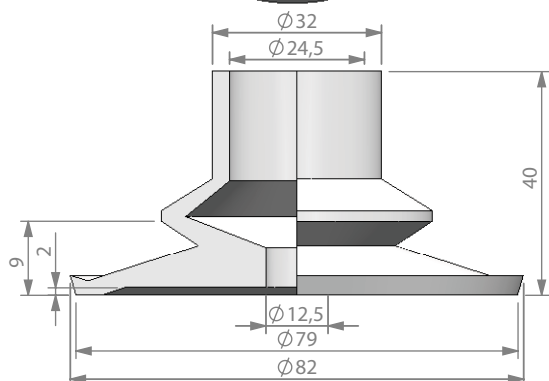
	<p>130.190 G 1/4"AG</p> <p>130.192 G 1/4"IG</p>		<p>130.049-1 G1/4"AG</p>
<p>Art No : 210.075.051._</p>	<p>20.0 gr</p>	<p>Art No : 210.075.128._</p>	<p>35.0 gr</p>
<p>NBR (sw), S (r)</p>	<p>17.0 mm</p>	<p>S (tr), NBR (sw), NR (sw)</p>	<p>20.0 mm</p>
	<p>130.078 G 1/4"IG</p> <p>130.191 G 1/4"AG</p>		
<p>Art No : 213.078.007._</p>	<p>73.0 gr</p>		
<p>NBR (sw), S (tr), PU (bl)</p>	<p>21.0 mm</p>		

Wielomieszkowe ssawki prozniowe
Bellows vacuum cups

Ø 80 mm Ø 82 mm



130.327 G 1/4"AG



Art No : 210.082.133._



41.0 gr

7.0 mm

S (r)

Art No : 215.080.003._



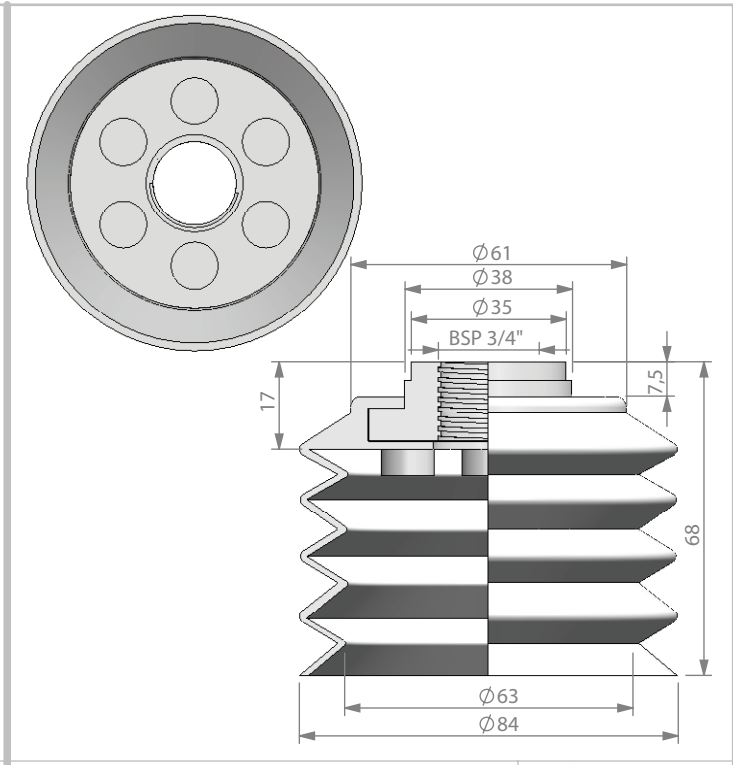
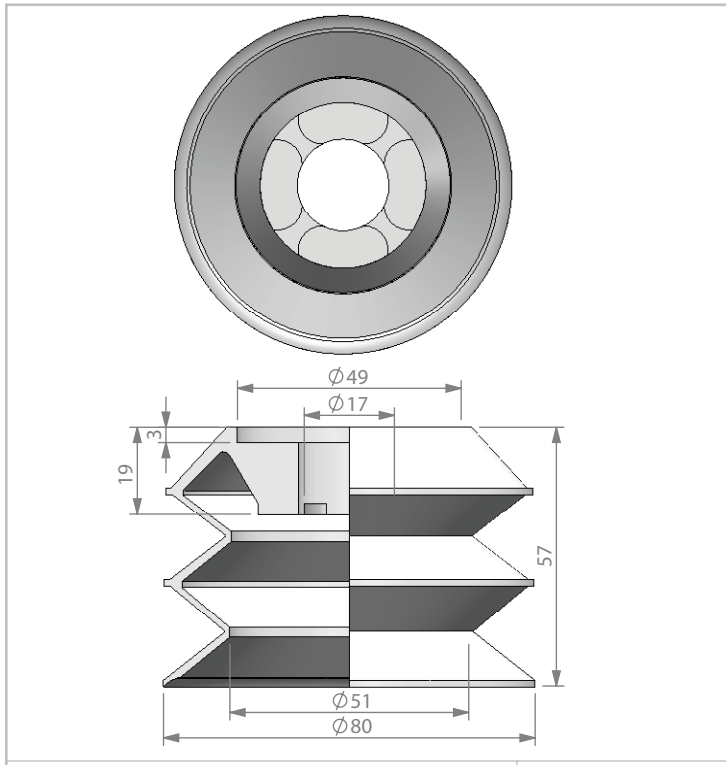
60.0 gr

23.0 mm

SBR (rb), PU (bg)

Wielomieszkowe ssawki prozniowe
Bellows vacuum cups

Ø 80 mm Ø 84 mm Ø 85 mm




Art No : 225.080.001._

 80.0 gr

Art No : 243.084.002._

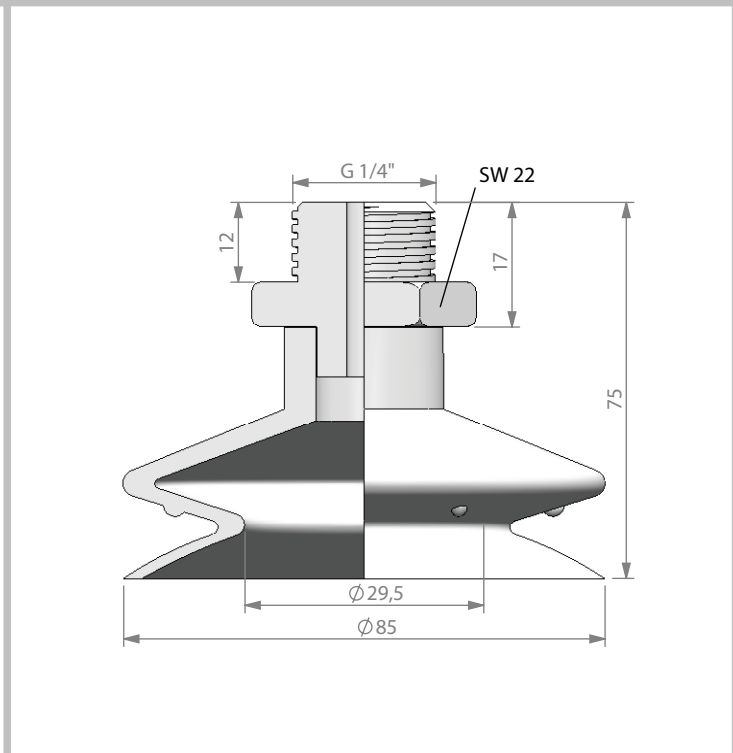
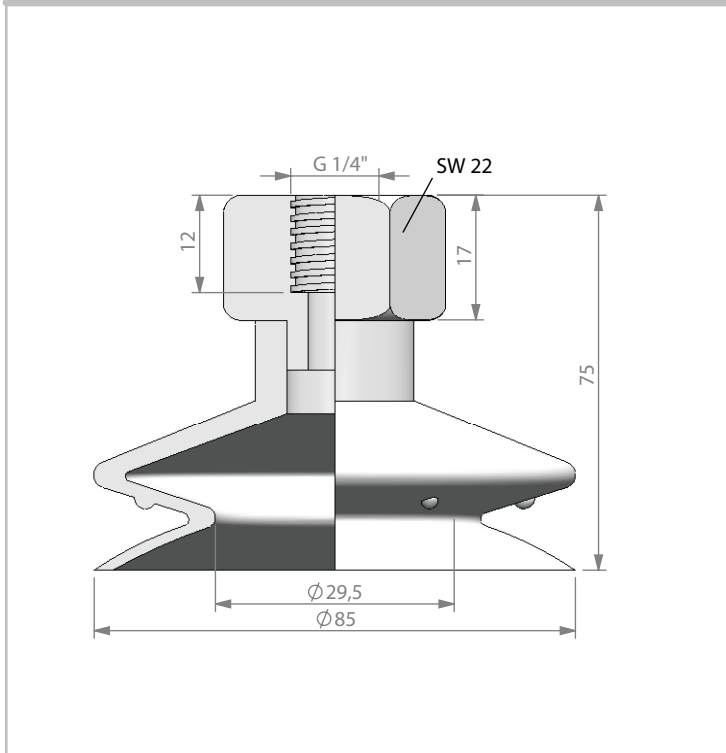
 126.0 gr

SBR (rb)

 38.0 mm

Vinyl (bl)

 31.0 mm



Art No : 213.085.009._

 139.0 gr

Art No : 214.085.002._

 135.0 gr

NBR (sw), S (r), NR-Soft (bg)

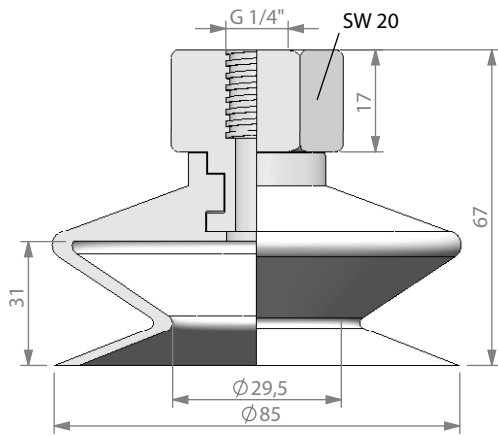
 13.0mm

NBR (sw), S (r), NR-Soft (bg)

 13.0 mm

Wielomieszkowe ssawki próżniowe
Bellows vacuum cups

Ø 85 mm



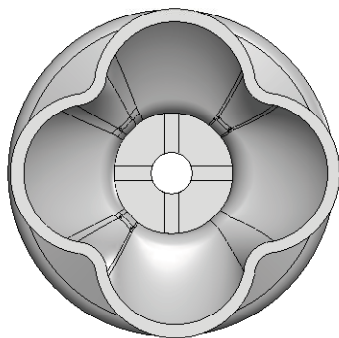
Art No : 213.085.006._



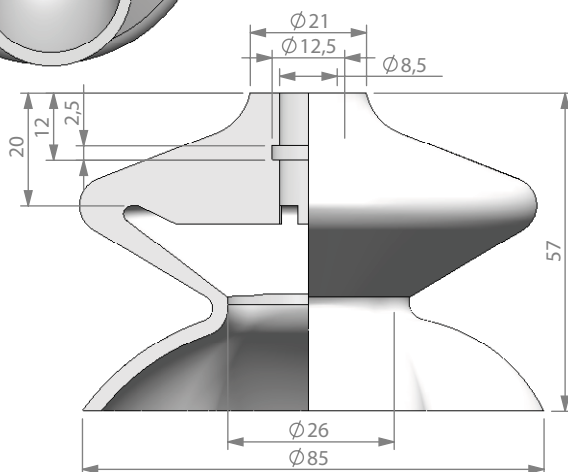
120.0 gr

NBR (sw), S (tr), NR (sw), NR (gr), FKM (g)

17.0 mm



130.526 G 1/4" AG
130.525 G 1/4" IG



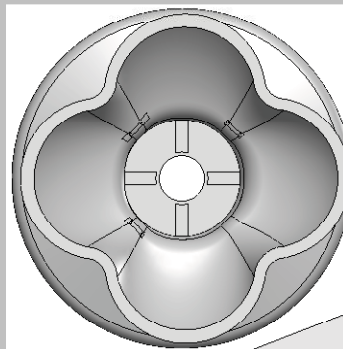
Art No:210.085.0878.00._



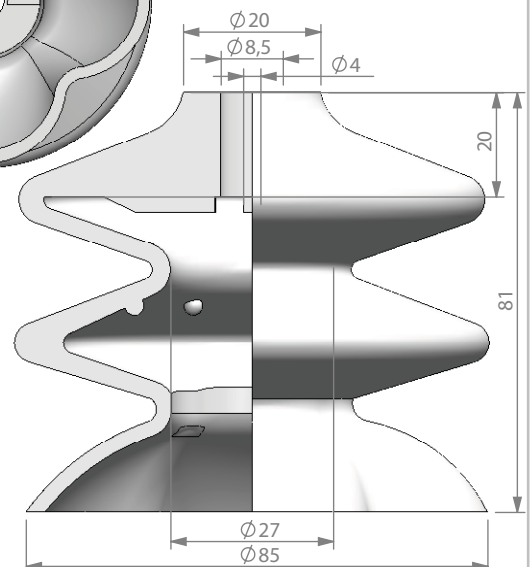
105.0 gr

PU (b) 70° Shore

25.0 mm



130.359 G 1/4" AG
130.361 G 1/4" IG



Art No:210.085.0858.00._



150.0 gr

PU (b) 70° Shore

38.0 mm

Wielomieszkowe ssawki próżniowe
Bellows vacuum cups

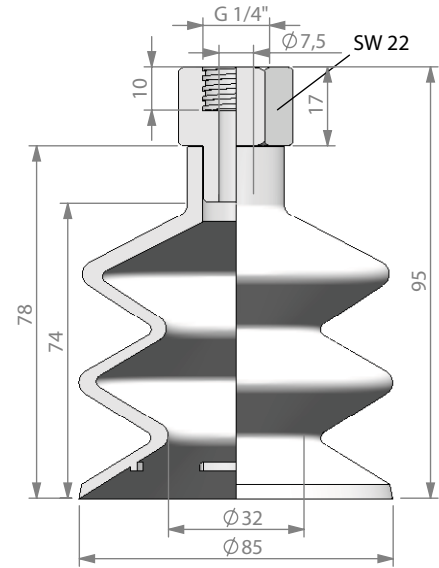
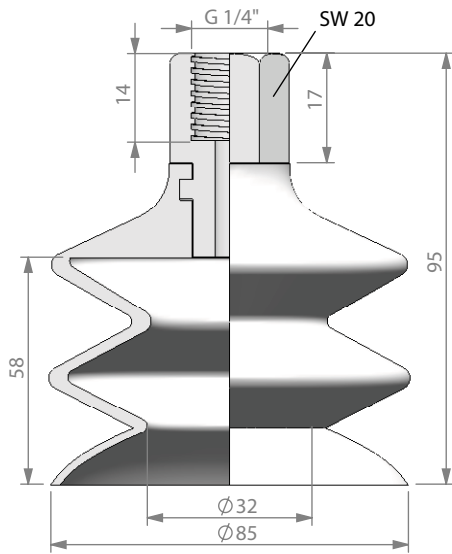
Ø 85 mm



<p>Art No : 220.085.091._</p>	140.0 gr	<p>Art No : 222.085.010._</p>	170.0 gr
<p>NR (sw), S (tr), NBR (sw), PU (bl)</p>	30.0 mm	<p>NR (sw), S (tr), NBR (sw), PU (bl)</p>	30.0 mm

Wielomieszkowe ssawki próżniowe
Bellows vacuum cups

Ø 85 mm



Art No : 223.085.002._



160.0 gr

NBR (sw), S (tr), NR (sw)

33.0 mm

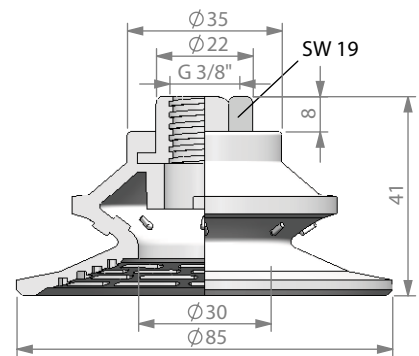
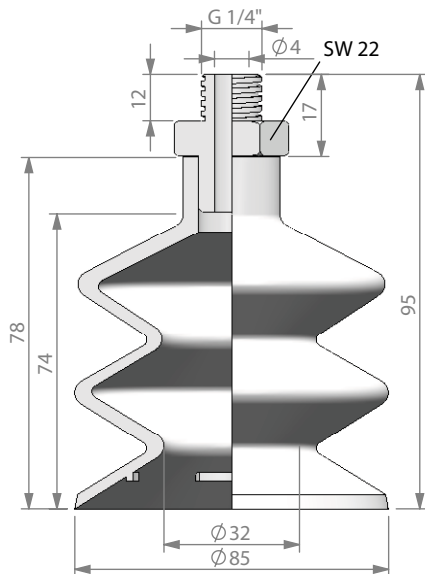
Art No : 223.085.007._



190.0 gr

NBR (sw), S (r)

33.0 mm



Art No : 224.085.001._



185.0 gr

NBR (sw), S (r)

33.0 mm

Art No : 213.085.016._



48.0 gr

Vinyl (bl)

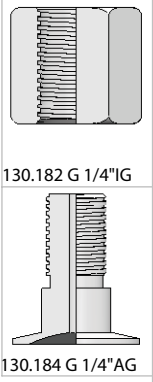
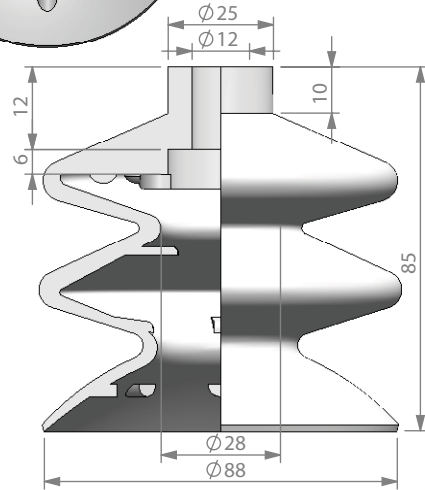
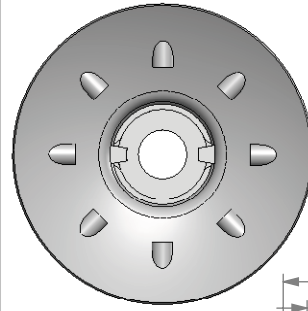
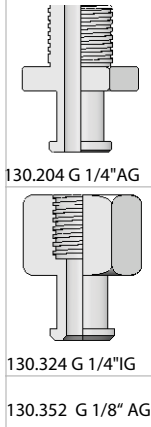
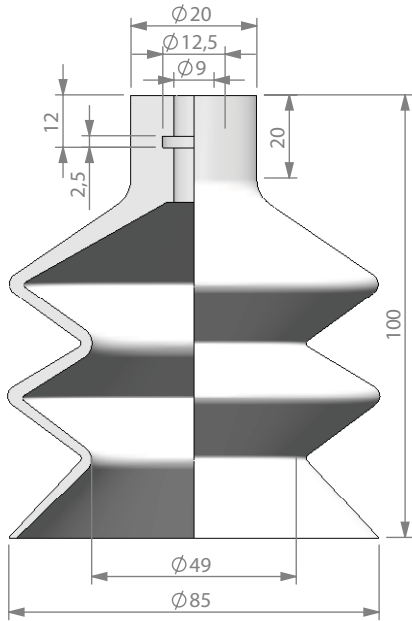
7.0 mm

Wielomieszkowe ssawki próżniowe
Bellows vacuum cups

Ø 85 mm Ø 88 mm



Ø 85 - 88



Art No:220.085.0533.00._

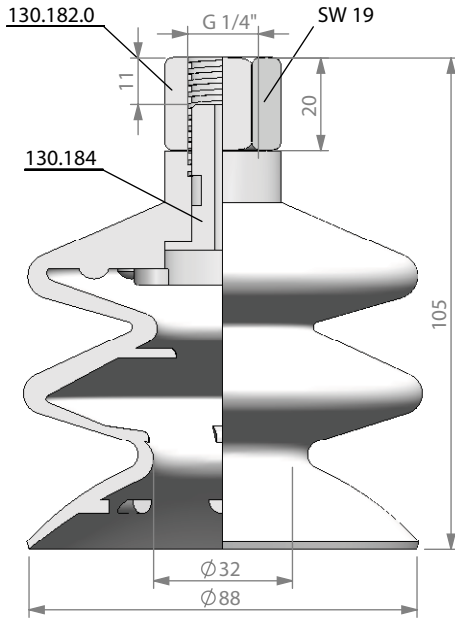


PU (b) 70⁰ Shore

Art No : 220.088.036._



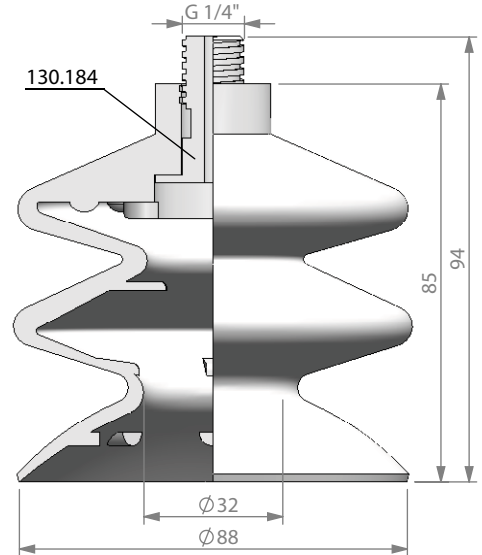
NBR (sw), S (tr)



Art No : 221.088.013._



NBR (sw), S (tr)



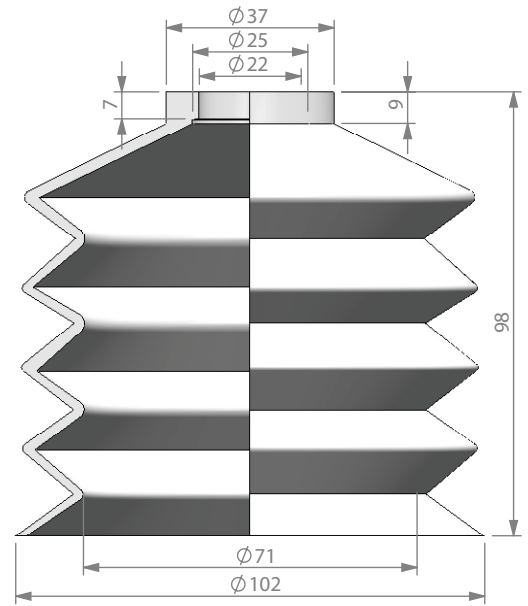
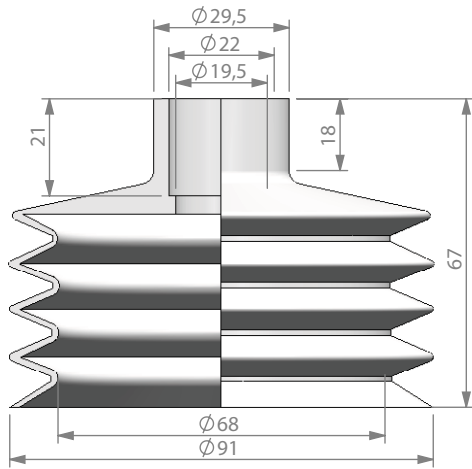
Art No : 222.088.011._



NBR (sw), S (tr)

Wielomieszkowe ssawki próżniowe
Bellows vacuum cups

Ø 91 mm Ø 102 mm Ø 110 mm



Art No : 240.091.026._



91.0 gr

Vinyl (bl)

32.0 mm

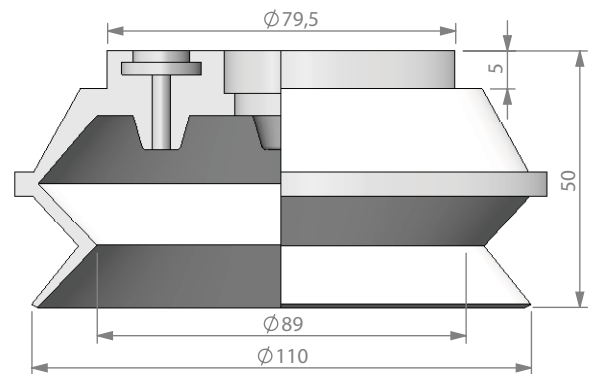
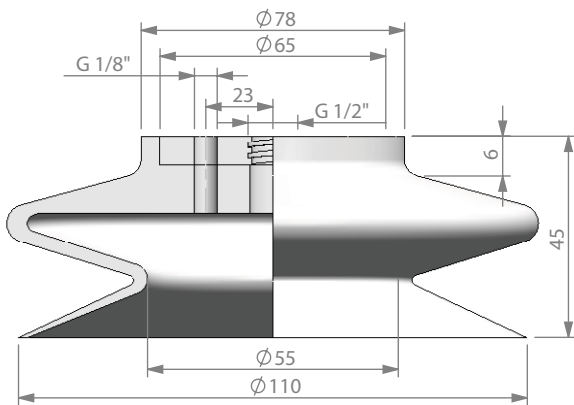
Art No : 240.102.027._



125.0 gr

S (tr), Vinyl (bl), S (bl)

55.0 mm



Art No : 213.110.017._



355.0 gr

NBR (sw), S (tr), NR (sw)

20.0 mm

Art No : 210.110.034._



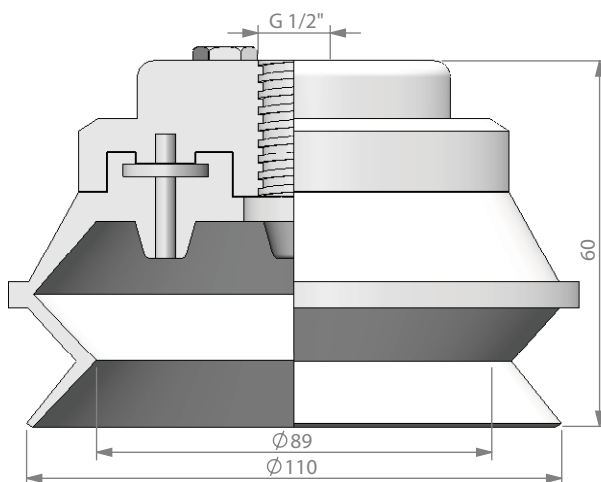
110.0 gr

NBR (sw), S (tr), PU (bl)

35.0 mm

Wielomieszkowe ssawki prozniowe
Bellows vacuum cups

Ø 110 mm Ø 115 mm



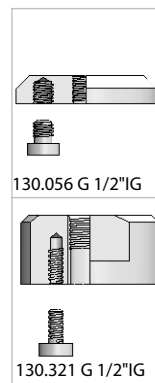
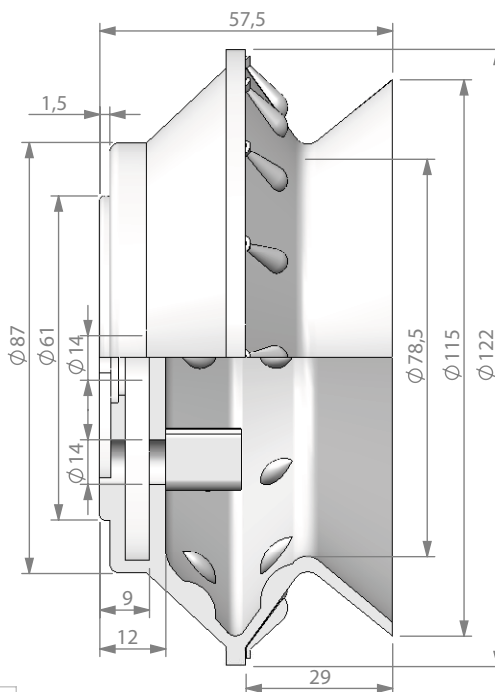
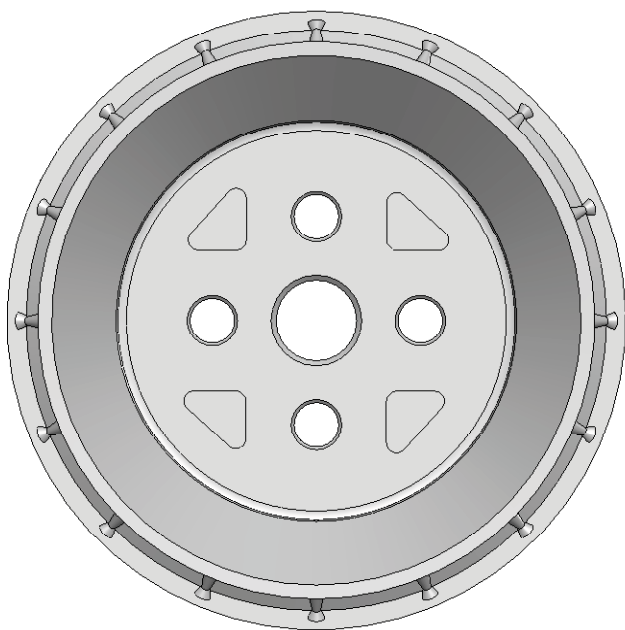
Art No : 211.110.007._



260.0 gr

NBR (sw), S (tr), PU (bl)

35.0 mm



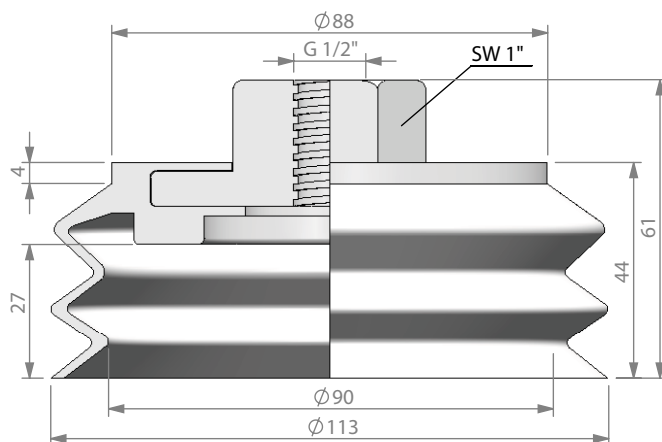
Art No : 210.115.047._



340.0 gr

NBR (sw)
NBR (sw), S (tr), PU (bl)

29.0 mm



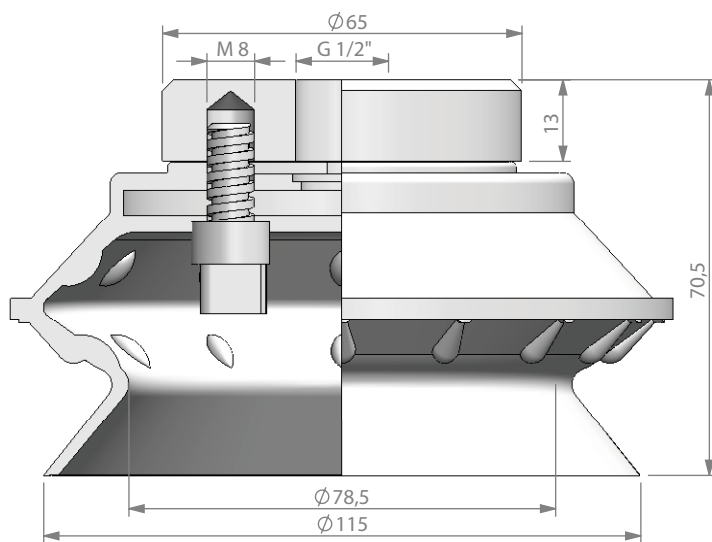
Art No : 223.113.010._



195.0 gr

Vinyl (bl)

27.0 mm



Art No : 211.115.017._



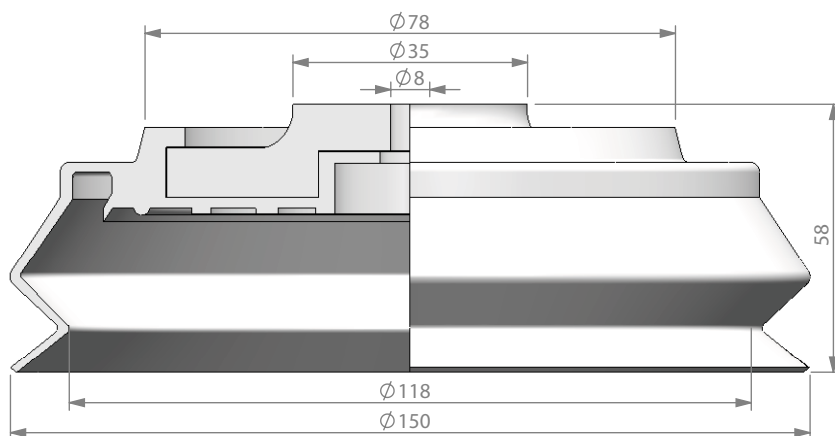
428.0 gr

NBR (sw), S (tr), PU (bl)

29.0 mm

Wielomieszkowe ssawki próżniowe
Bellows vacuum cups

Ø 150 mm



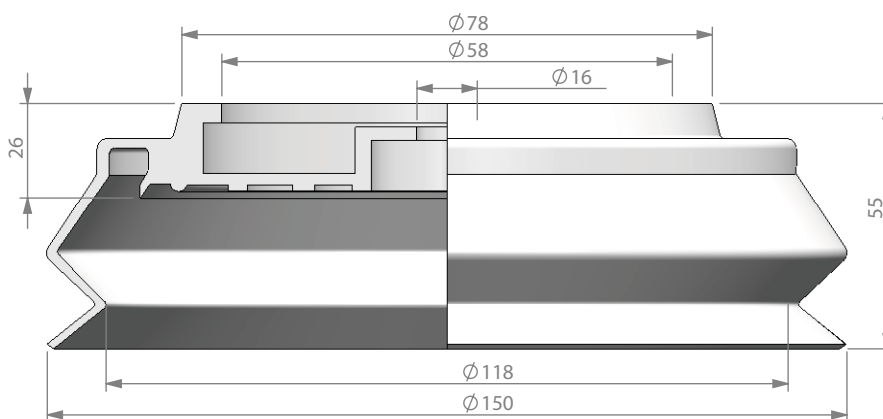
Art No : 212.150.007._



355.0 gr

NBR (sw), NR (sw), S (tr)

28.0 mm



130.270 Ø 8

Art No : 210.150.134._



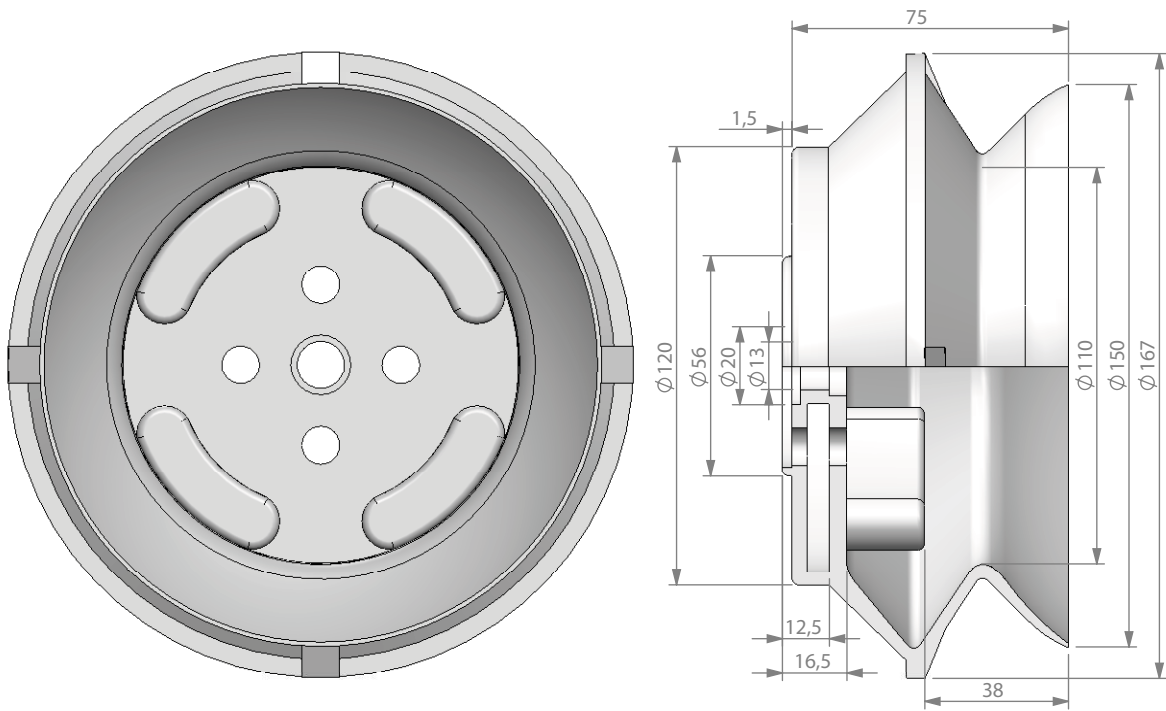
190.0 gr

NBR (sw), NR(sw), S (tr)

28.0 mm

Wielomieszkowe ssawki próżniowe
Bellows vacuum cups

Ø 150 mm Ø 155 mm



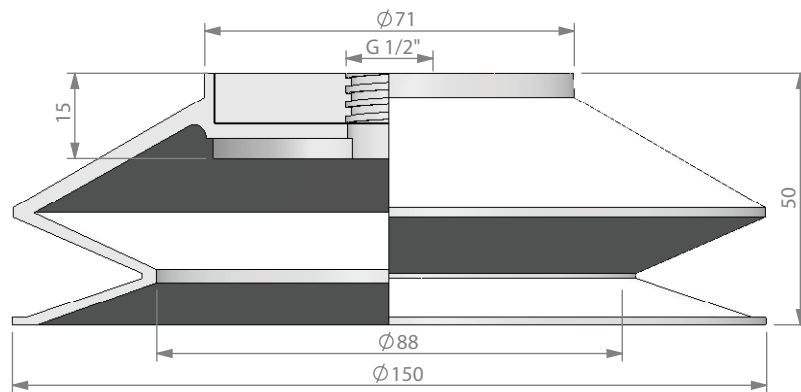
Art No : 210.155.048._



495.0 gr

NBR (sw), S (tr), PU (bl)

38.0 mm



Art No : 213.150.002._



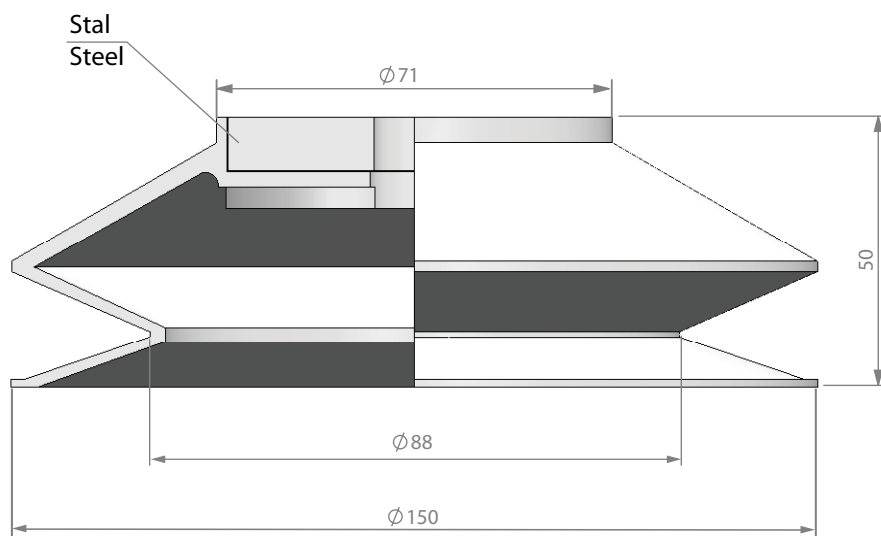
460.0 gr

NBR (gr), NR(sw), S (tr) , SBR (sw), FKM (sw)

32.0 mm

Wielomieszkowe ssawki próżniowe
Bellows vacuum cups

Ø 150 mm Ø 158 mm



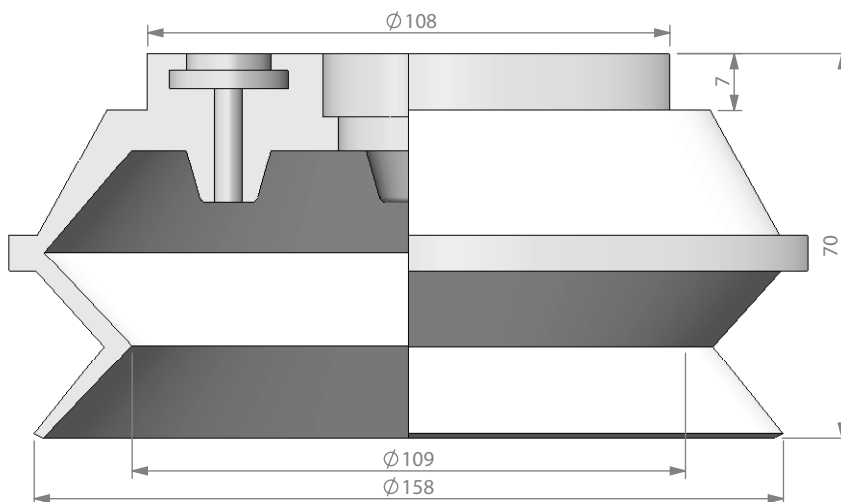
Art No : 215.150.004._



460.0 gr

NBR (gr), S (tr), NR (sw), SBR (sw), FKM (sw)

32.0 mm



Art No : 210.150.035._



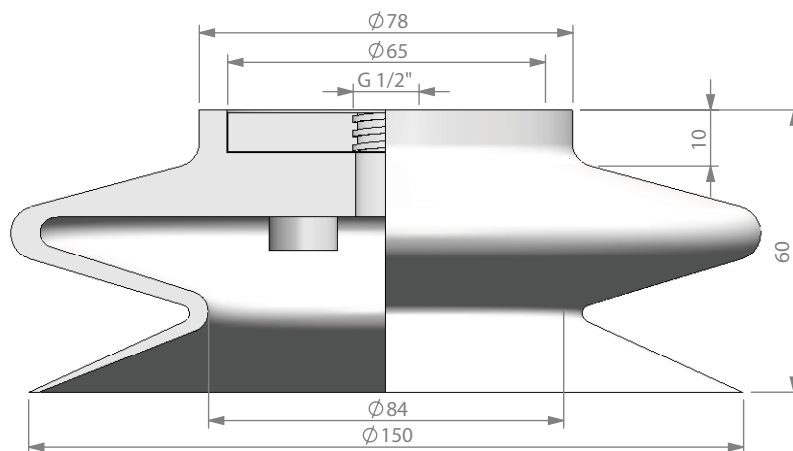
293.0 gr

NBR (sw), S (tr), PU (bl), HNBR (wr)

40.0 mm

Wielomieszkowe ssawki próżniowe
Bellows vacuum cups

Ø 150 mm Ø 158 mm



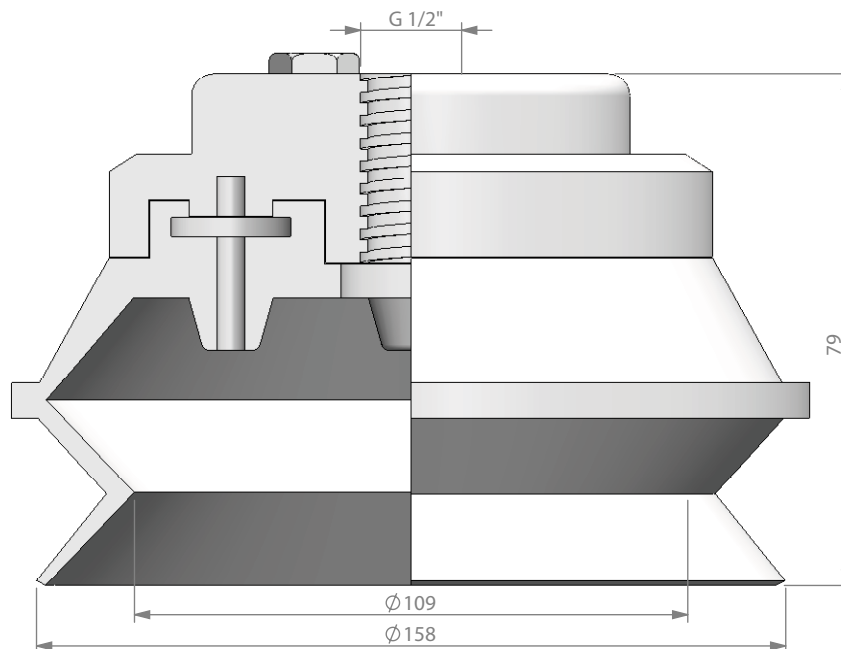
Art No : 213.150.019



780.0 gr

NBR (sw), S (tr), NR (sw)

20.0 mm



Art No : 211.150.008._



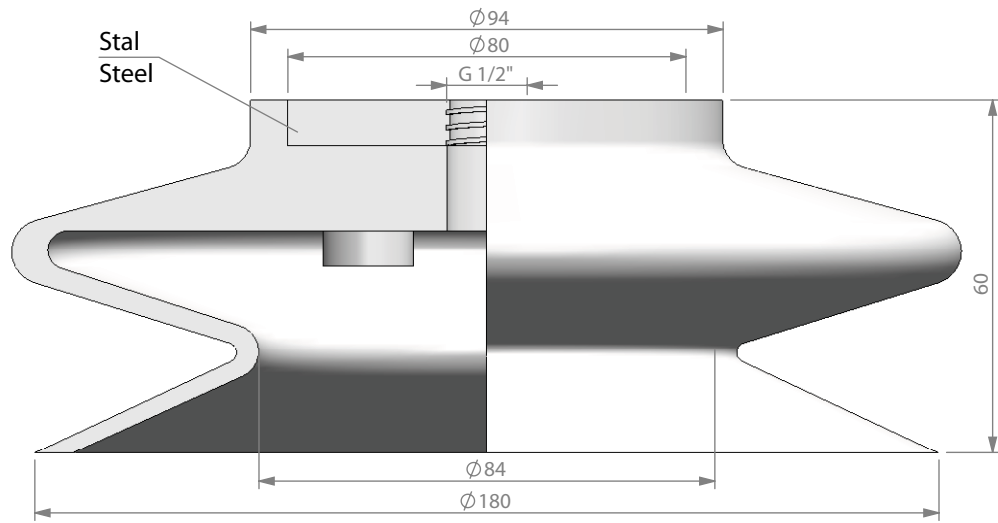
580.0 gr

NBR (sw), S (tr), PU (bl), HNBR (wr)

40.0 mm

Wielomieszkowe ssawki próżniowe
Bellows vacuum cups

Ø 180 mm Ø 200 mm



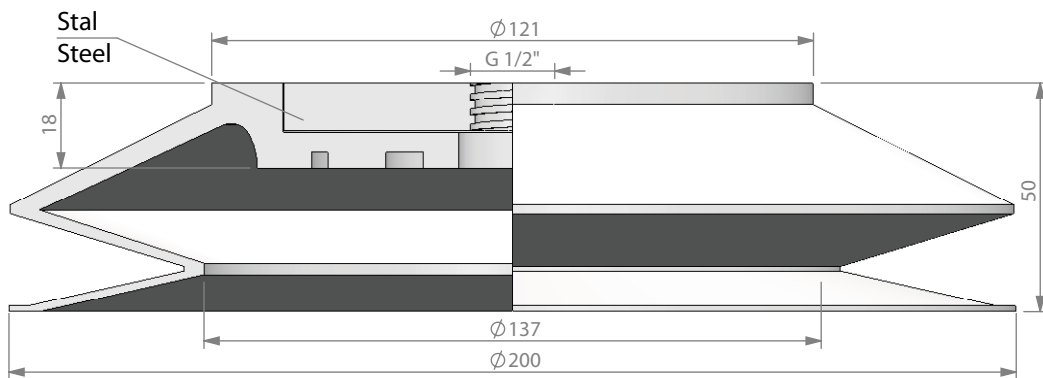
Art No : 213.180.020._



820.0 gr

NBR (sw), S (tr), NR (sw)

20.0 mm



Art No : 213.200.021._



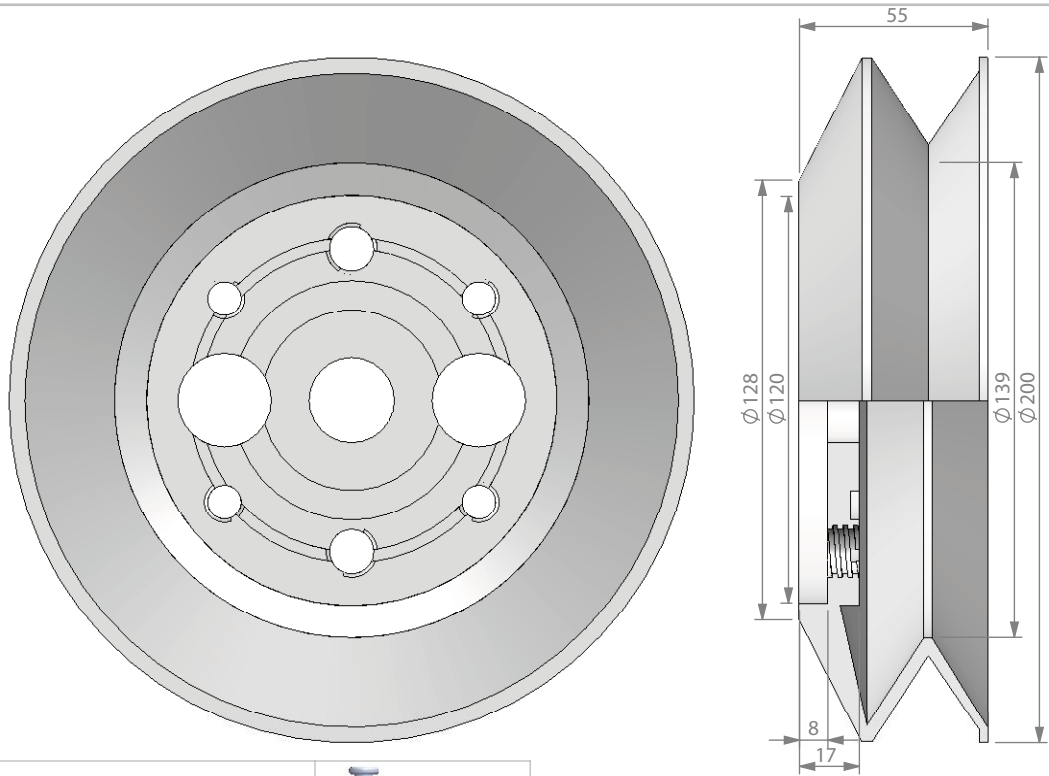
860.0 gr

NBR (gr), S (tr), NR(b)

30.0 mm

Wielomieszkowe ssawki próżniowe
Bellows vacuum cups

Ø 200 mm Ø 210 mm



Art No : 213.200.022._

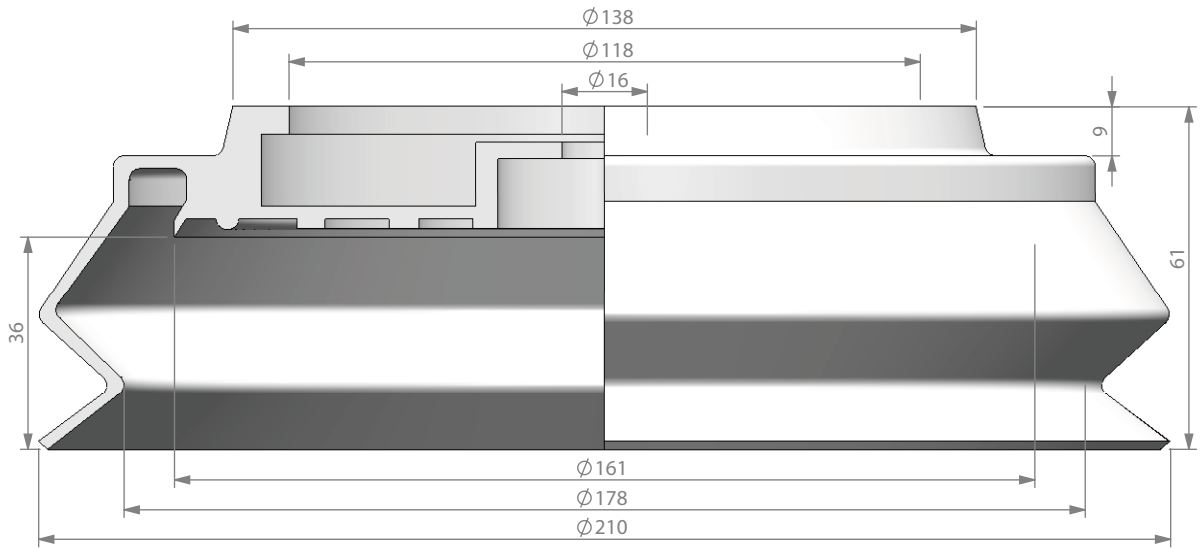


520.0 gr

NR (r), NBR (sw)

38.0 mm

Art.No. 215.200.006._ Bez otworów / without bore holes



Art No : 210.210.135._



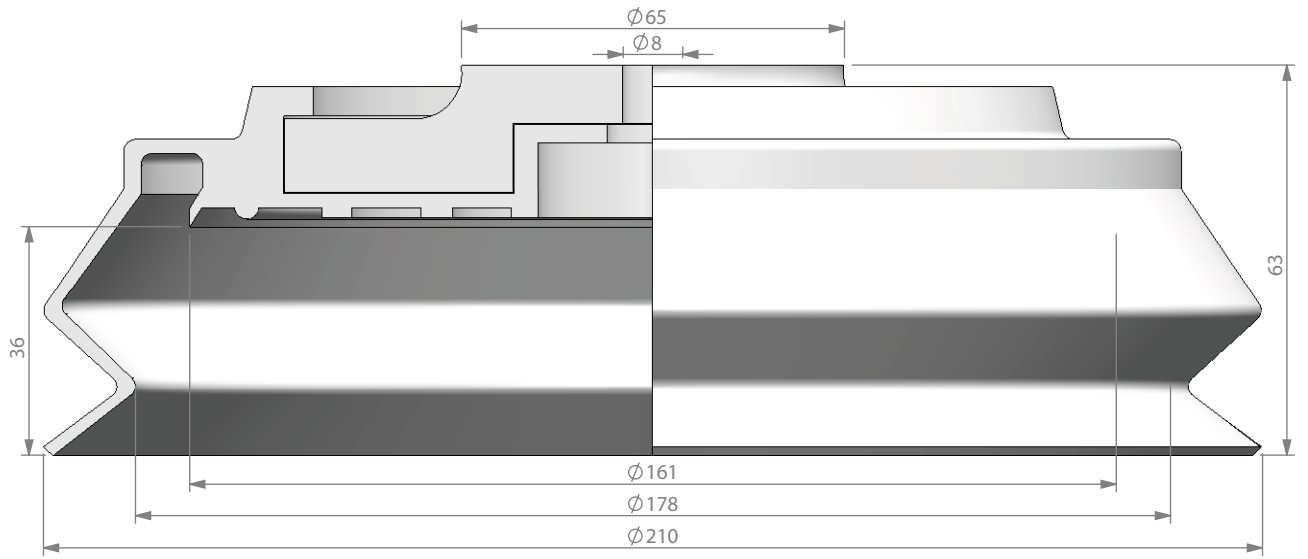
360.0 gr

NBR (sw), S (tr), NR (sw)

32.0 mm

Wielomieszkowe ssawki próżniowe
Bellows vacuum cups

Ø 210 mm Ø 250 mm



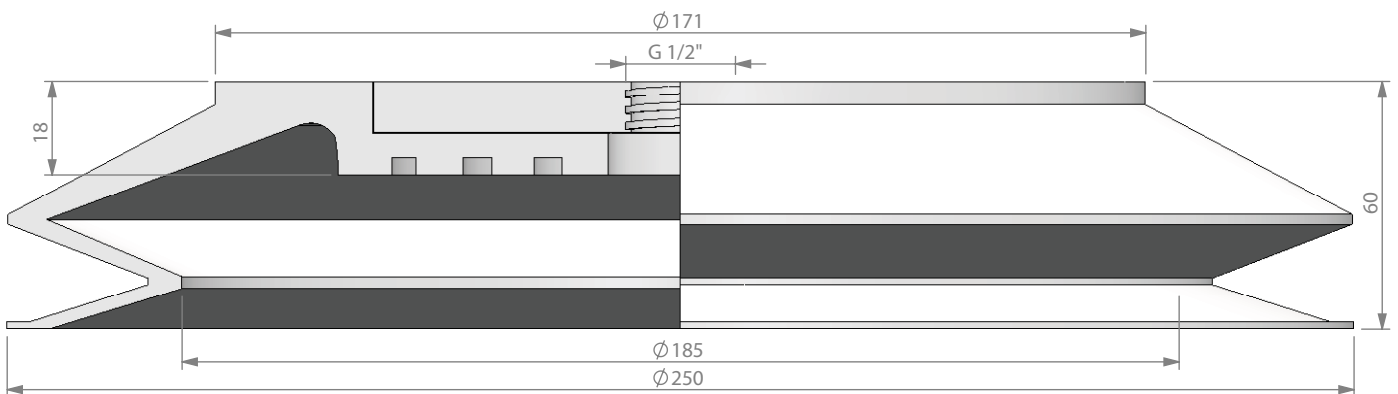
Art No : 212.210.008._



860.0 gr

NBR (sw), S (tr), NR (sw)

32.0 mm



Art No : 213.250.002._

Art No : 213.250.005._



1900.0 gr Stal / Steel

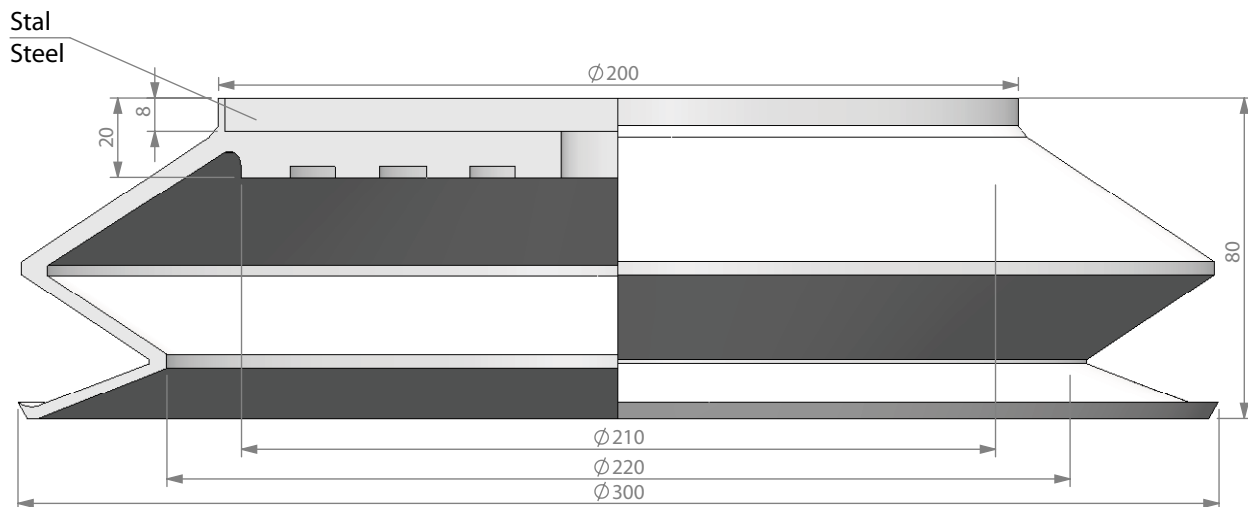
1000.0 gr Aluminium

NBR (gr), S (tr), SBR (sw), NR(bg), PU (bg)
SBR (rb)

38.0 mm

Wielomieszkowe ssawki próżniowe
Bellows vacuum cups

Ø 300 mm Ø 350 mm



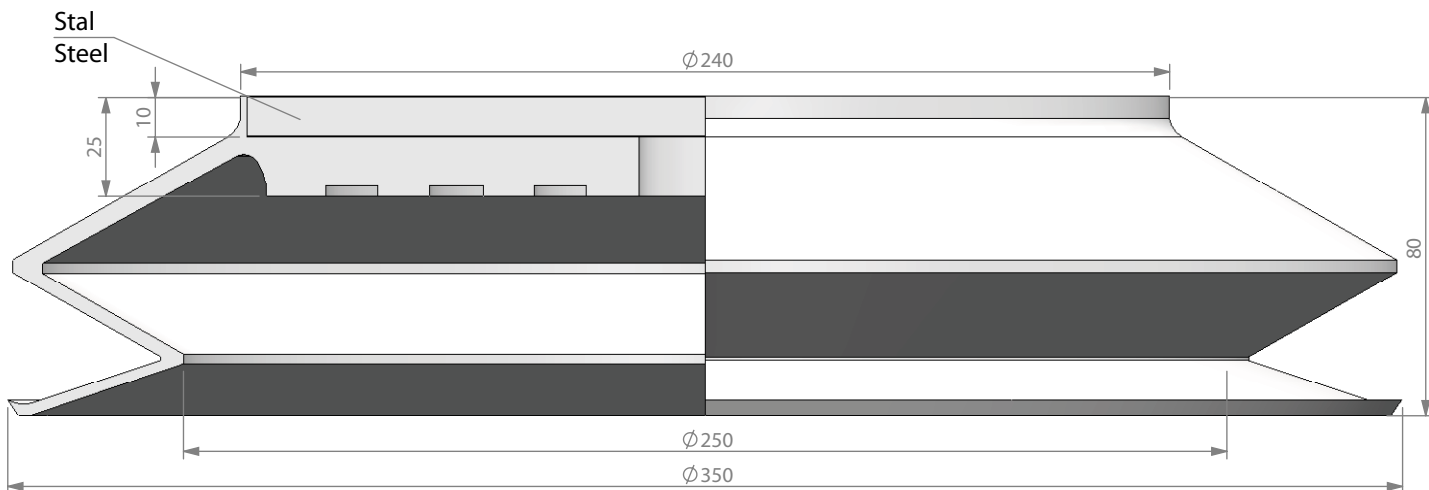
Art No : 215.300.001.01._



2900.0 gr

NBR (gr), NR (hb), S (tr), SBR (sw)

60.0 mm



Art No : 215.350.002.01._



4160.0 gr

NBR (gr), SBR (sw)

55.0 mm